

ONE SPORT



Model: OT30Pro

USER MANUAL

Attention!

Please keep the instruction manual properly!

To ensure your safety, please read the instruction manual carefully before using the electric tricycle to better understand the performance of the electric tricycle.

TABLE OF CONTENTS

TABLE OF CONTENTS	01
WARNING	02
UNBOXING	03
WHAT'S IN THE BOX	03
FRAME NUMBER AND MOTOR NUMBER	04
OT30Pro STRUCTURE INTRODUCTION	05
INSTALLATION OF INTEGRAL BODY	06
REMOVE THE BATTERY	07
INSTALL THE BATTERY	07
HOW TO ADJUST THE SUSPENSION FORK	08
HOW TO CHARGE	08
INSTRUMENT INTRODUCTION	10
INSTRUMENT OPERATION	11
DISPLAY SETTING	13
SAFETY NOTES	14
OPERATING SAFETY	14
HELMETS AND LOCAL LAWS	14
PRE-RIDE SAFETY CHECK AND INSPECTION	14
RIDING IN WET CONDITIONS	14
RIDING AT NIGHT	15
MAX WEIGHT	15
PRE-RIDE SAFETY CHECK	15
ERROR CODES	16
WARRANTY	17
ELECTRIC BIKE MAINTENANCE	18
REGULAR CLEANING	18
LUBRICATION	19
CHECK THE BOLTS	19
TIRE PRESSURE	19
BRAKE PADS	19
WATERPROOFING	19
BATTERY CARE	19
DISCLAIMER	20

WARNING!

Read this entire manual before assembling or using your new electric tricycle. Do not modify, disassemble, or replace the original electrical components on your tricycle. Doing so will invalidate your warranty and could put you in danger. Riding any type of tricycle comes with some risks which can't be predicted or avoided. Taking proper care of tricycle components can lower the risk of sudden failure of components but cannot prevent it. These sudden failures could cause serious harm, injury, or death to the rider. If you notice abnormalities in any component on the tricycle, take it to a licensed mechanic to be repaired or replaced immediately.

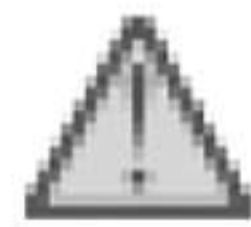
ONESPORT assumes no liability for harm, injury, or death of the rider. This manual is not intended to function as a detailed service manual.

ONESPORT recommends having your local tricycle shop mechanic perform a detailed safety check of your tricycle before your first ride. Ensure your local mechanic is experienced and reputable. The ONESPORT OT30Pro can withstand most rain showers without sustaining damage. The tricycle has an IP rating of 65. This means it is dust tight and can withstand jetting water. See the IP code for more details. It does not mean that the tricycle and its mechanical and electrical components are waterproof. We do not recommend storing or using the tricycle in excessively wet conditions. The warranty for the ONESPORT OT30Pro does not cover water damage.

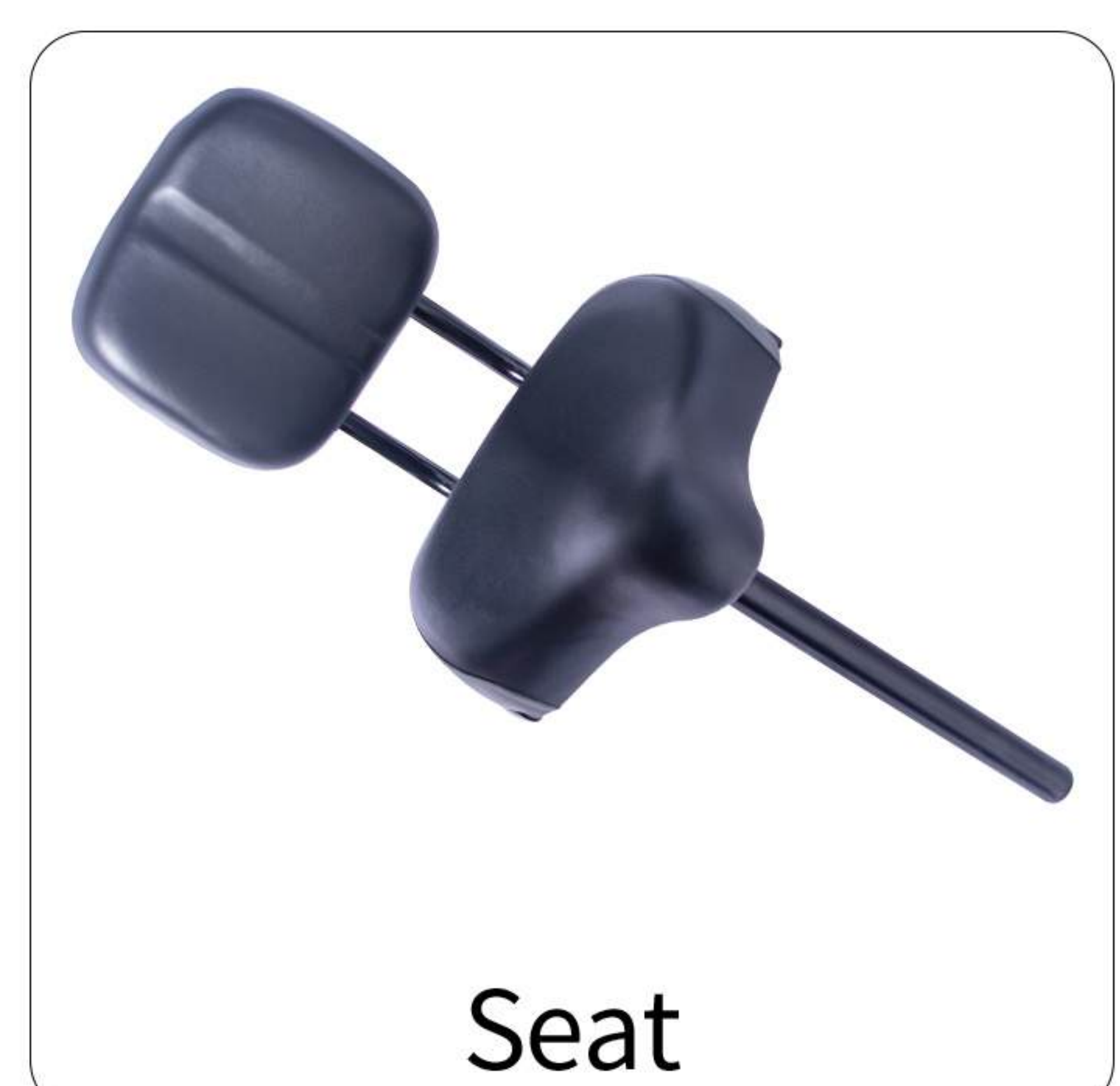
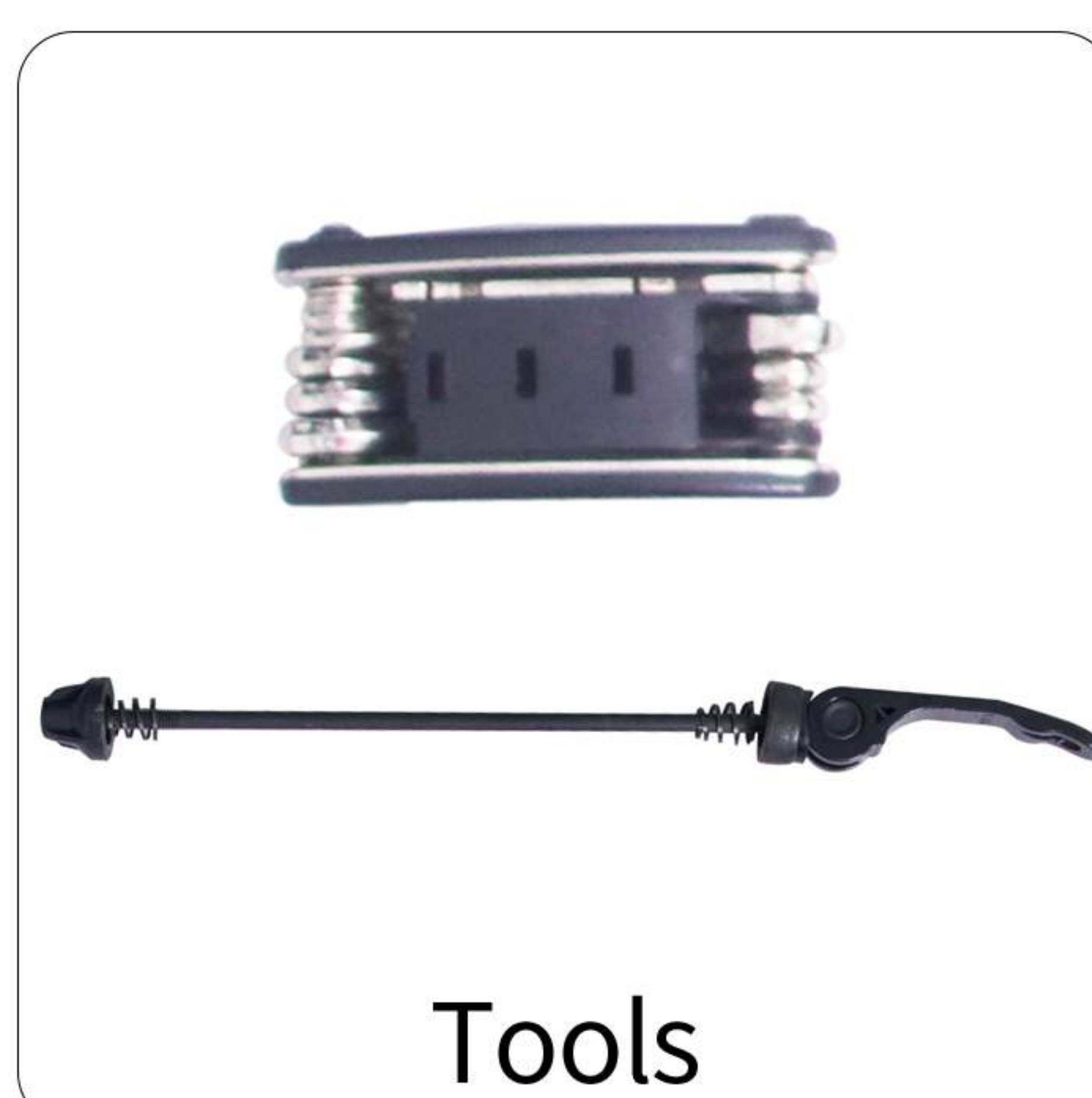
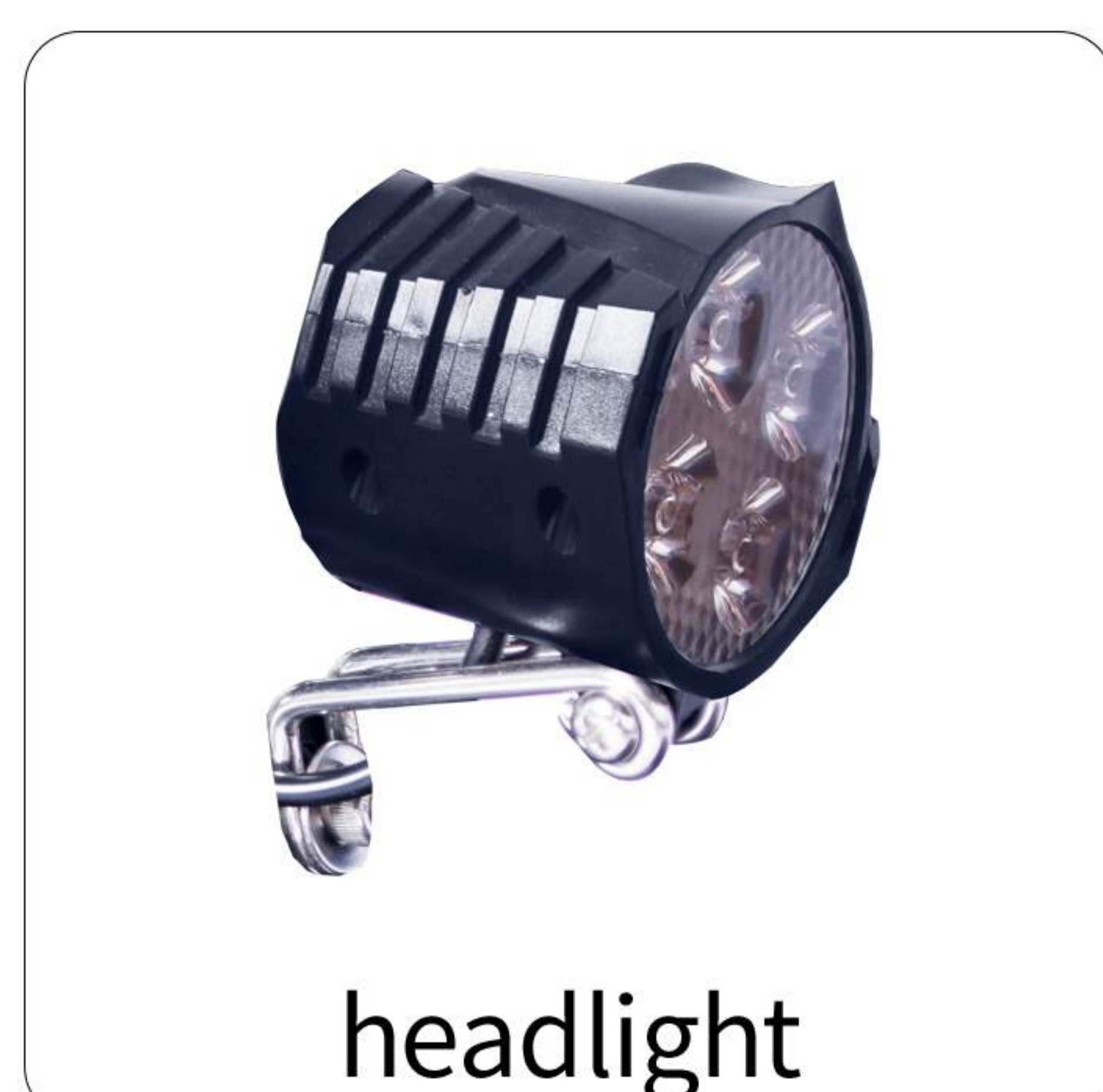
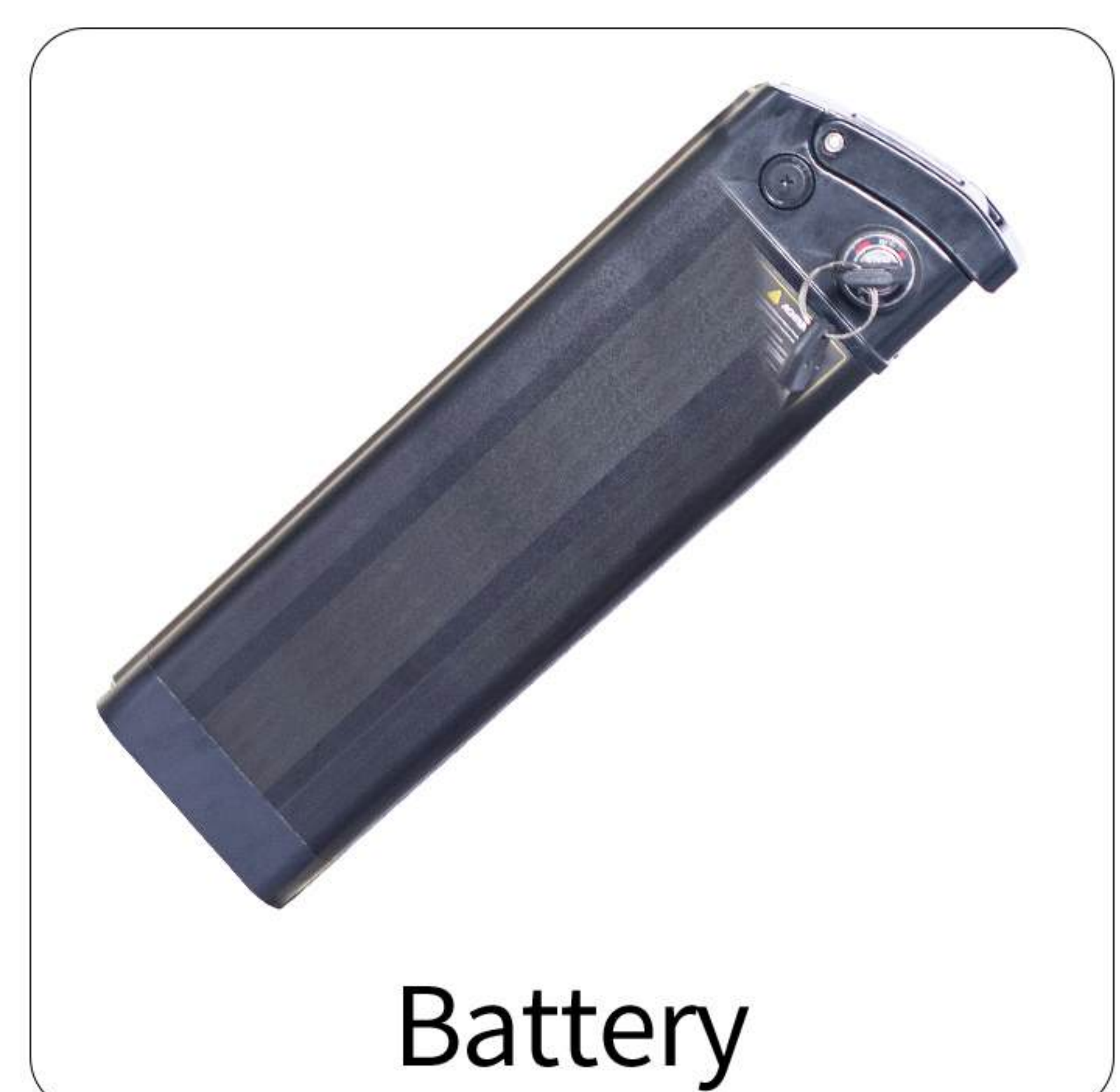
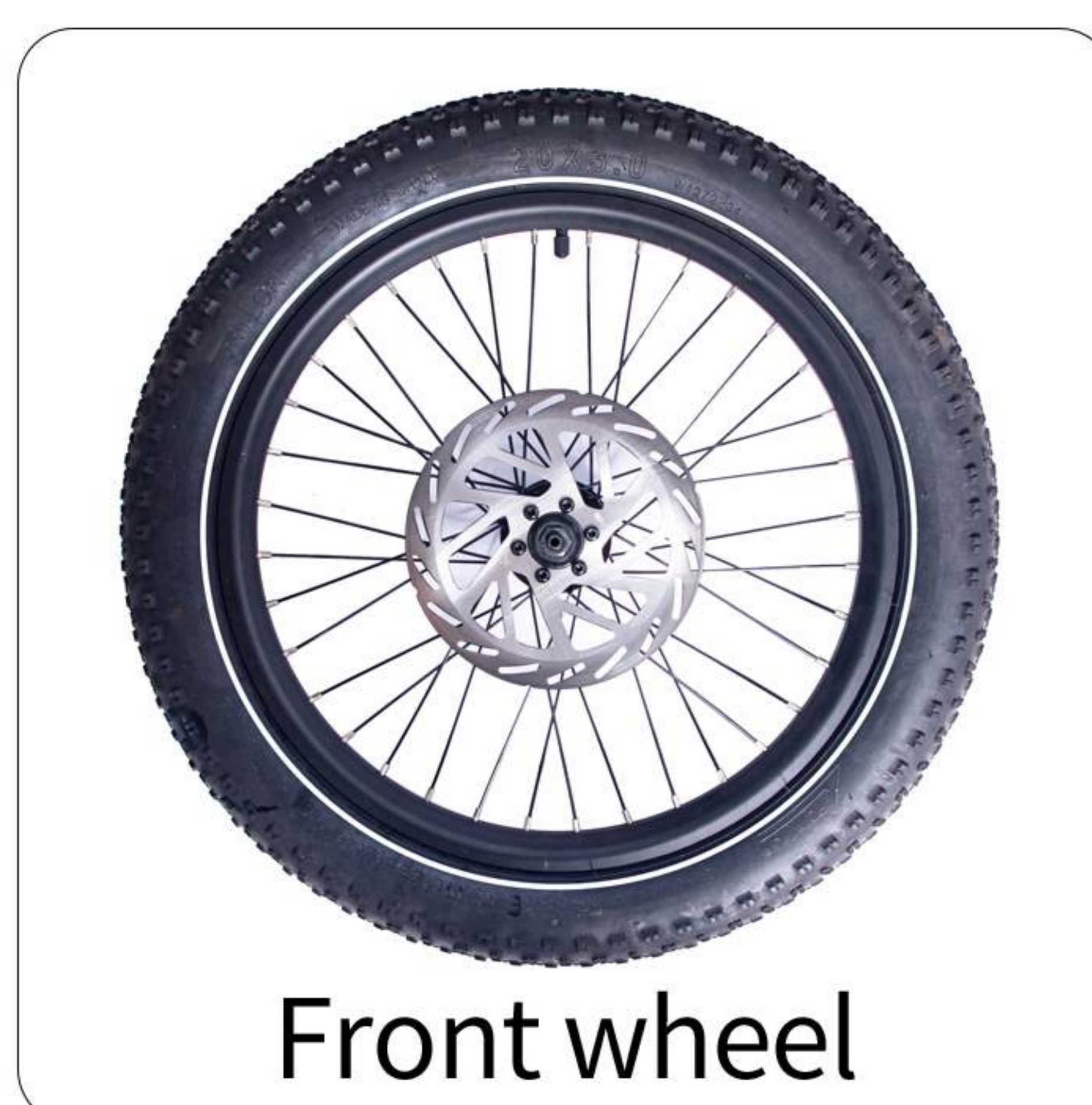
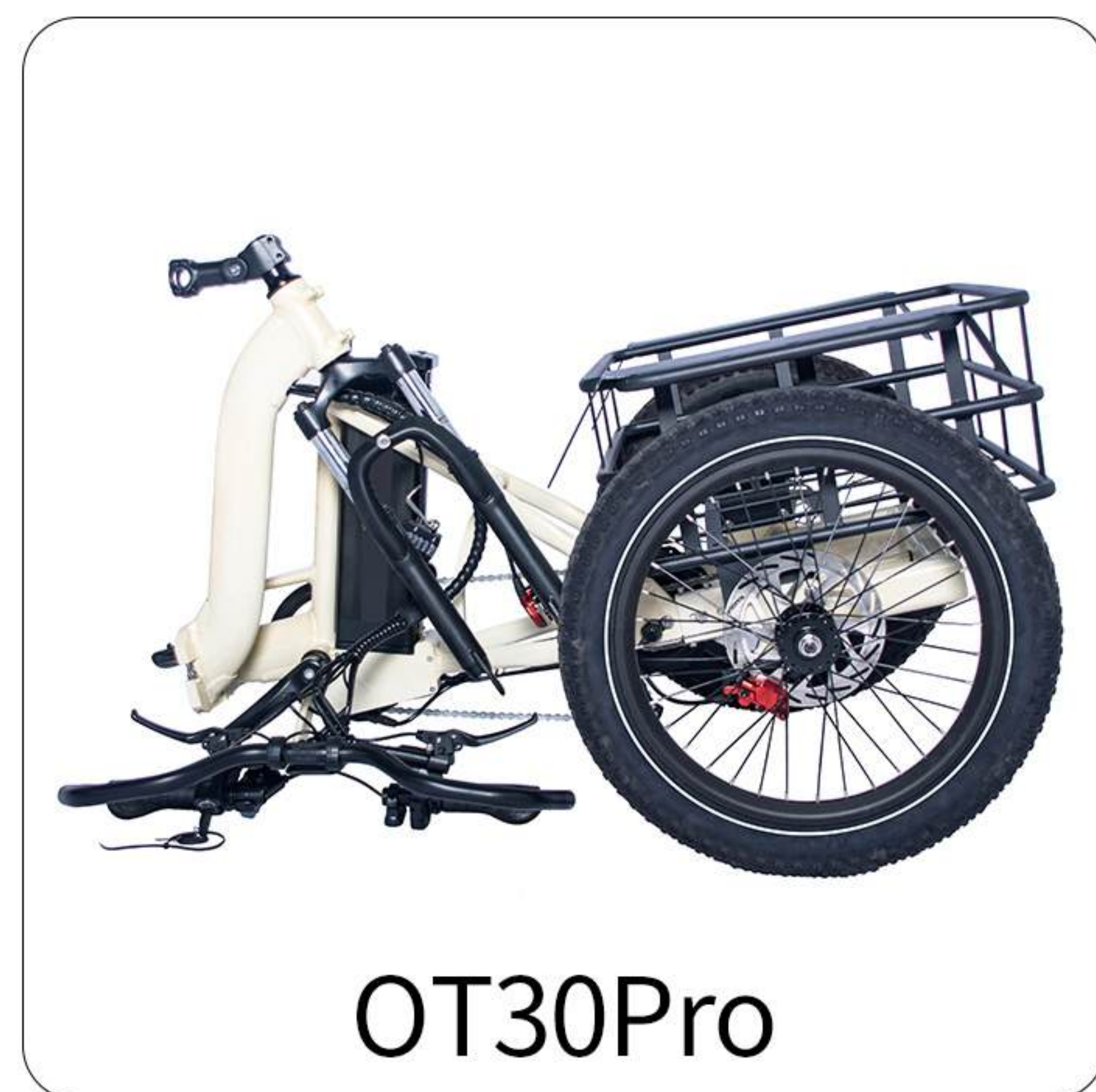
UNBOXING

Congratulations on your purchase of a new ONESPORT OT30Pro! Your bike and related accessories are inside your box, and the instructions below are meant to show you all the parts inside the box. Before removing the packing foam, please take out all the parts to confirm if there are any missing parts.

If any parts are missing or damaged, please contact ONESPORT customer service support@onesportglobal.com as soon as possible.

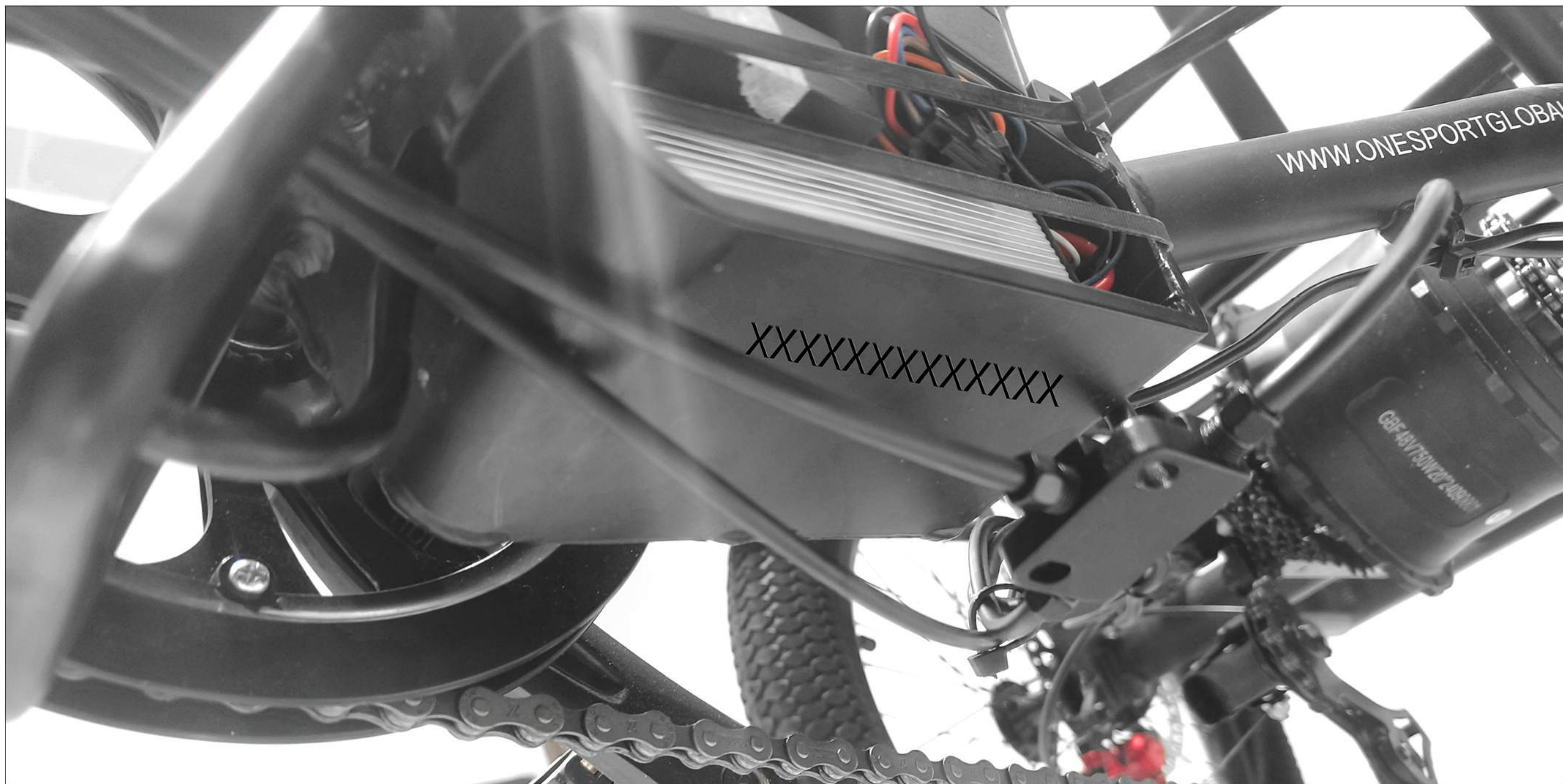
 Note: If this is your first time riding or the first time you assemble an e-bike! we recommend you seek professional help, preferably from a local, certified bike mechanic.

WHAT'S IN THE BOX:



FRAME NUMBER AND MOTOR NUMBER

Your bike has two unique serial numbers on the frame and on the motor. As shown in the picture.



Please find the serial numbers stamped on your bike and keep records yourself. The motor number and frame number will be the proof of purchase for ONESPORT to honor the warranty. Also, if an electric bike is stolen, you can provide the frame number for law enforcement.

OT30Pro STRUCTURE INTRODUCTION



- 1. Handlebar
- 4. Brake disc
- 7. E-bike Seat
- 10. Motor

- 2. Headlight
- 5. Battery
- 8. Controller box

- 3. Front fender
- 6. Crank Shaft
- 9. Shelves

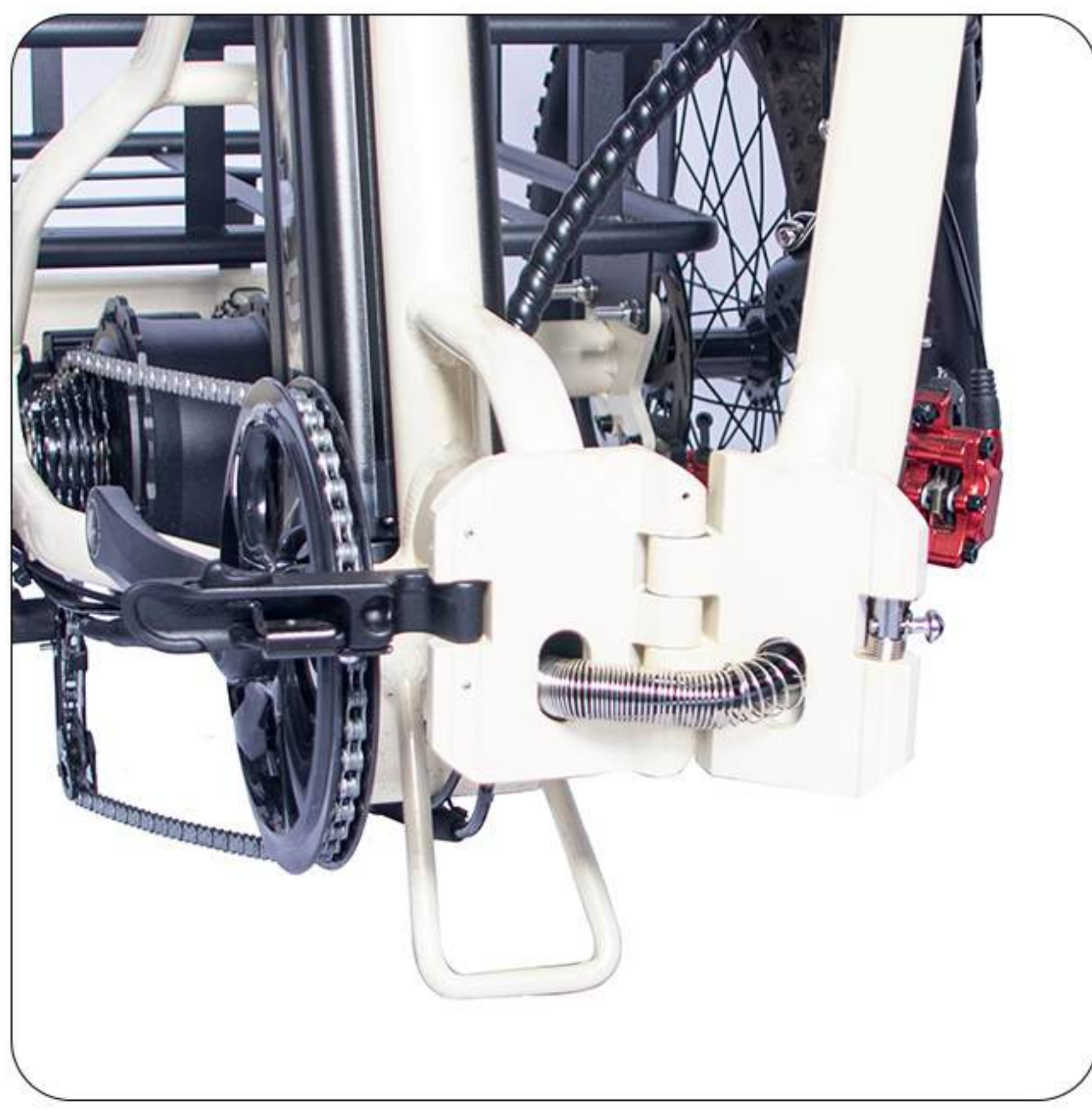


- 11. Front brake lever
- 14. Downshifting button
- 17. After the instrument is turned on, press and hold for three seconds to turn on the light.

- 12. On/Off button
- 15. Upshifting button
- 18. accelerator

- 13. Display
- 16. Rear brake lever

INSTALLATION OF INTEGRAL BODY



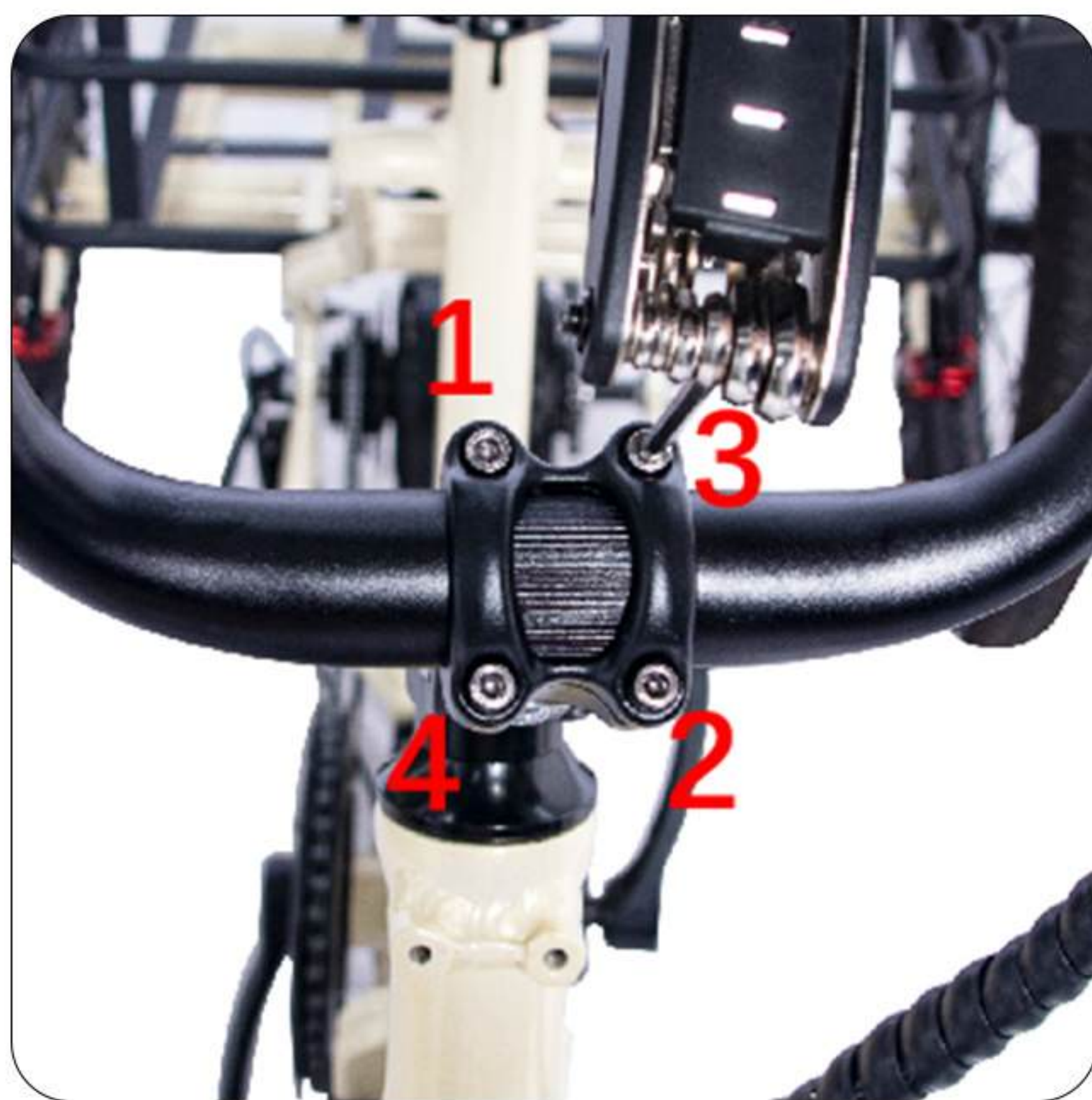
1. Expand the body



2. First, push upwards slightly, then fasten the folding tab.



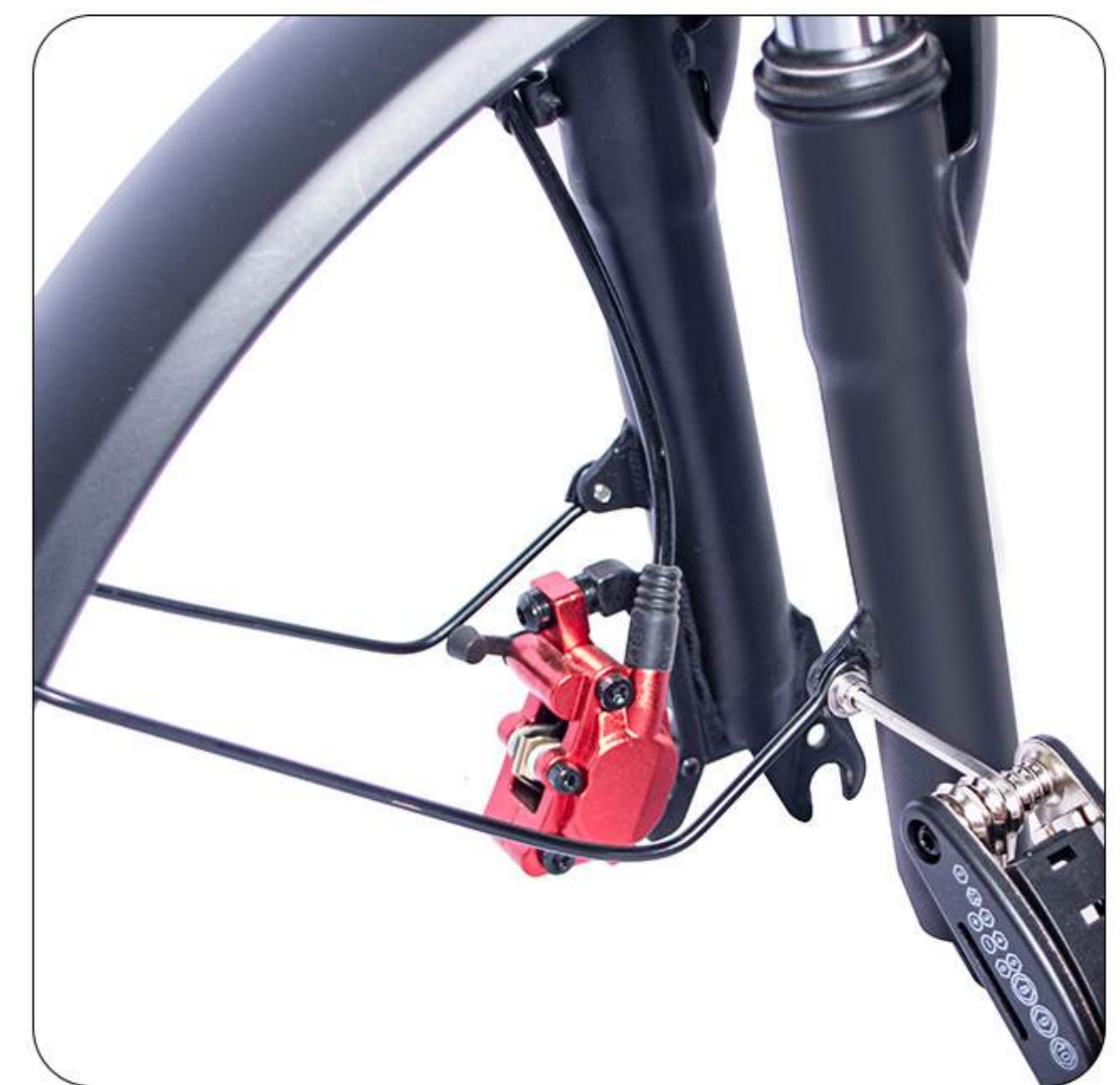
3. Adjust the Stem to the front and lock the screws with an Allen key. Use an Allen key to remove 4 bolts.



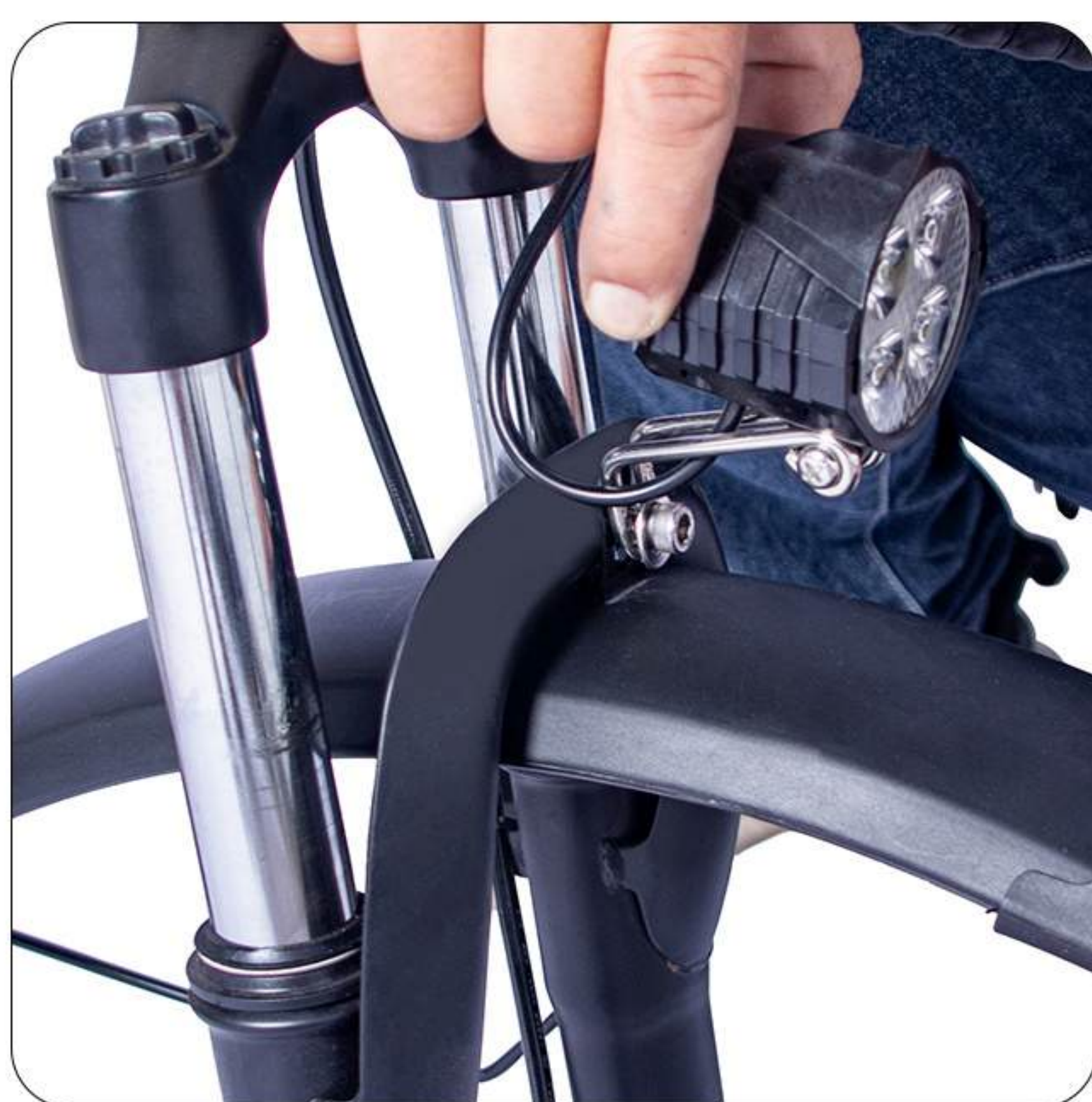
4. Attach the handlebar to the stem connection, and thread in the bolts.



5. Remove the front wheel clip, then remove the front fork protection rod and brake protection pad.



6. Install the two screws for the fender bracket.



7. Install the light and fender brackets onto the front fork according to the order in the pictures.



8. Install the front wheel, paying attention to the holes in the wheel and front fork, as well as the clearance for the front brake and brake pads.



9. Install the front wheel quick release shaft as shown in the picture, with two conical springs, one on each side, with the smaller direction facing inwards. Finally, tighten the quick release shaft.



10. When installing the foot pedal, pay attention to distinguishing between "R" and "L".



11. Use a wrench to tighten the pedal.



12. Loosen the seat buckle, install the seat, adjust the height, and then tighten the seat buckle.

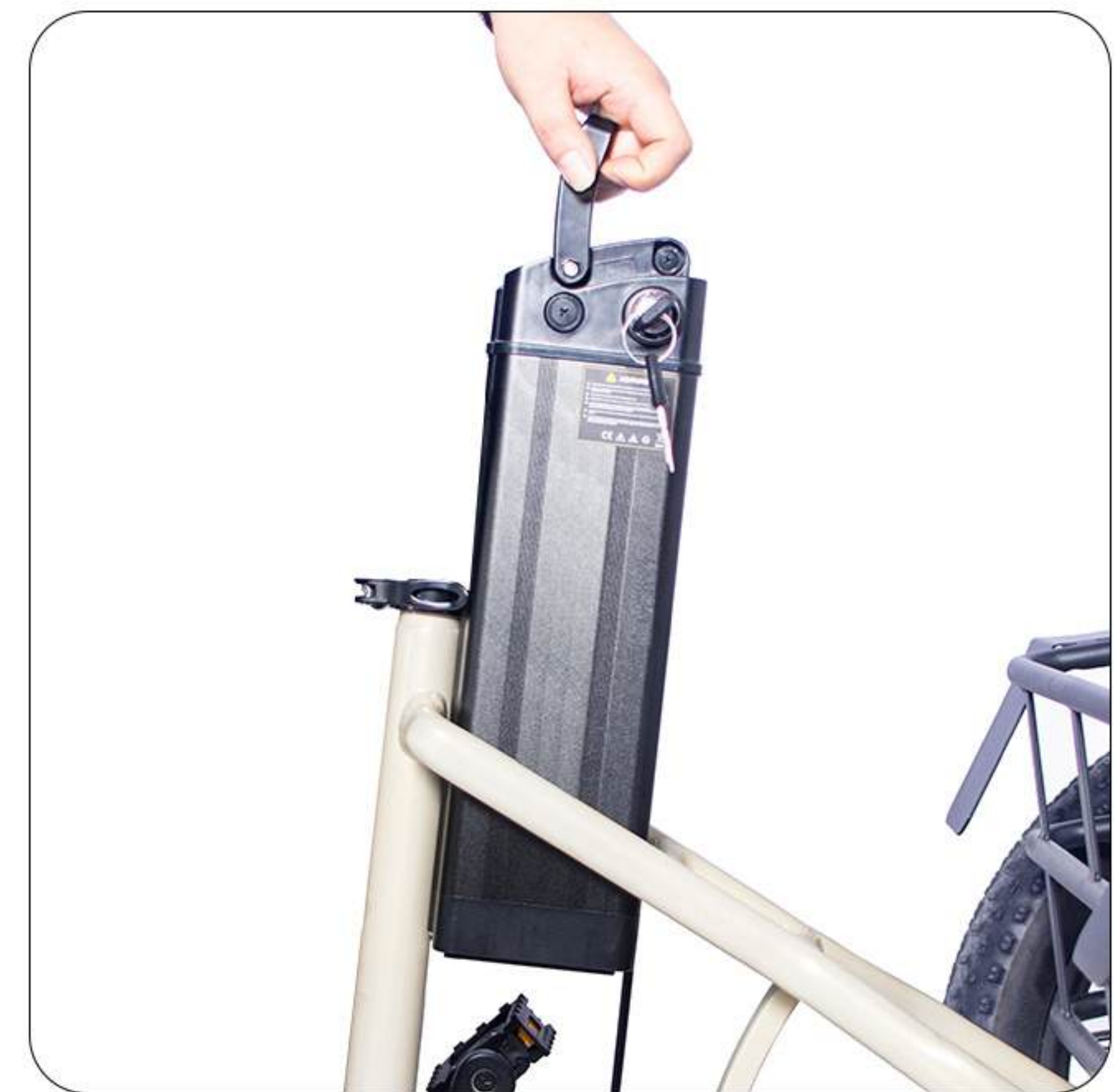
REMOVE THE BATTERY



1. Release the seat buckle and lift the seat out.



2. Turn the key to retract the rear latch into the battery.



3. Pull upwards to remove the battery.

INSTALL THE BATTERY



1. When installing the battery, pay attention to the battery and the rail below.



2. Turn the key to extend the rear latch and lock the battery.

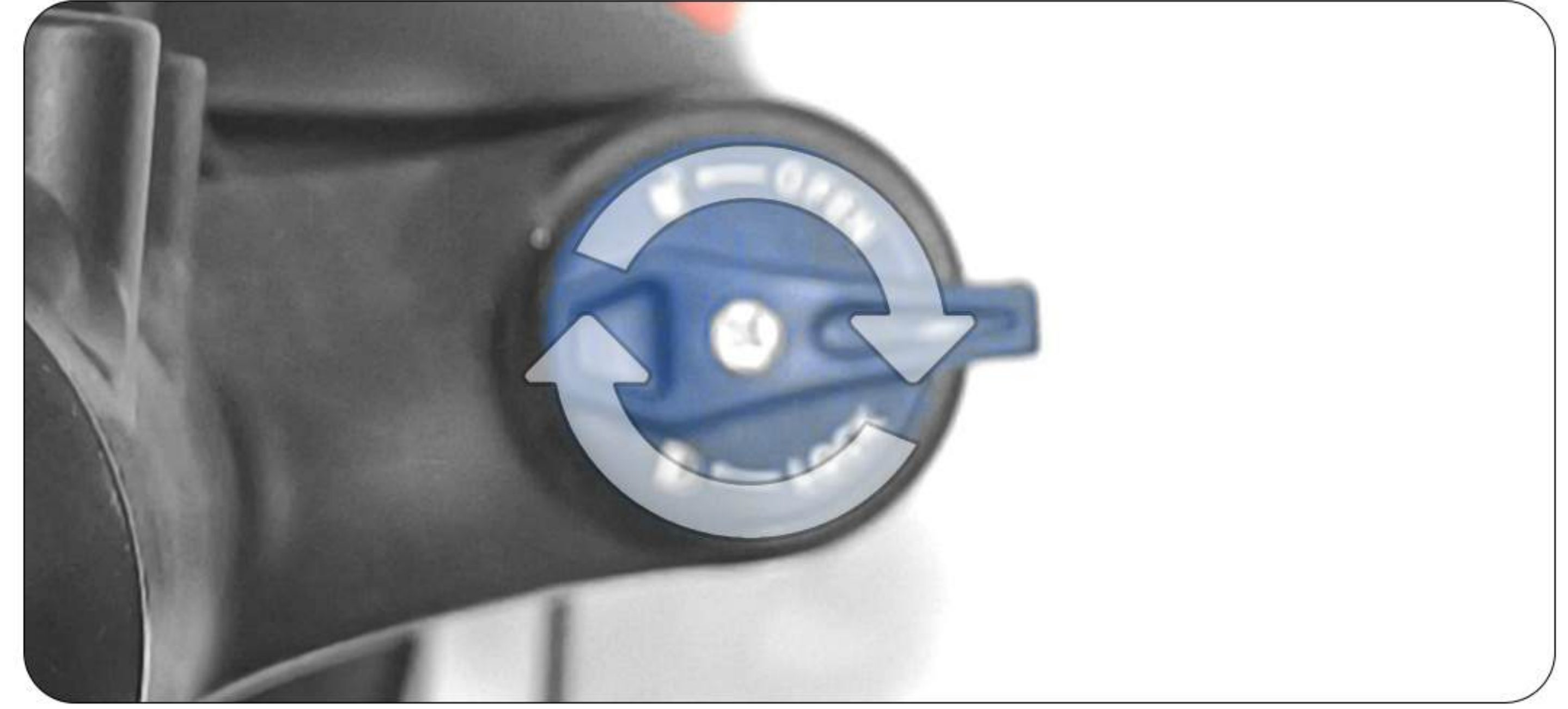
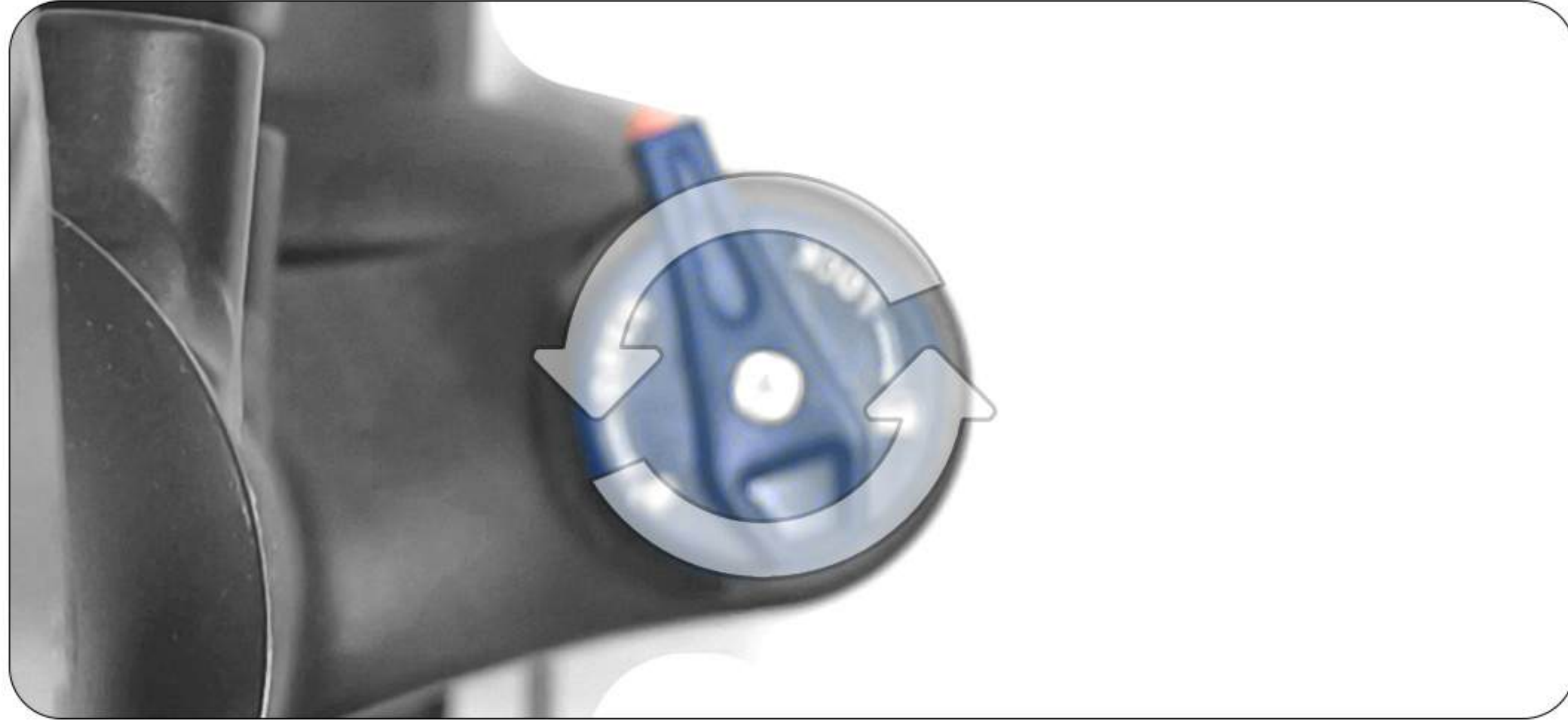


3. Align the seat with the seat tube, adjust the height, and then fasten the seat buckle.

HOW TO ADJUST THE SUSPENSION FORK

Twist the adjustment button clockwise to make your suspension fork stiffer, and turn it counterclockwise to make your suspension fork softer, so you can adjust the softness of the suspension fork according to your weight.

If you weigh more than 120 kg, you should lock the suspension fork before riding.



 Note: do not sit on the bike when you are turning the knob.

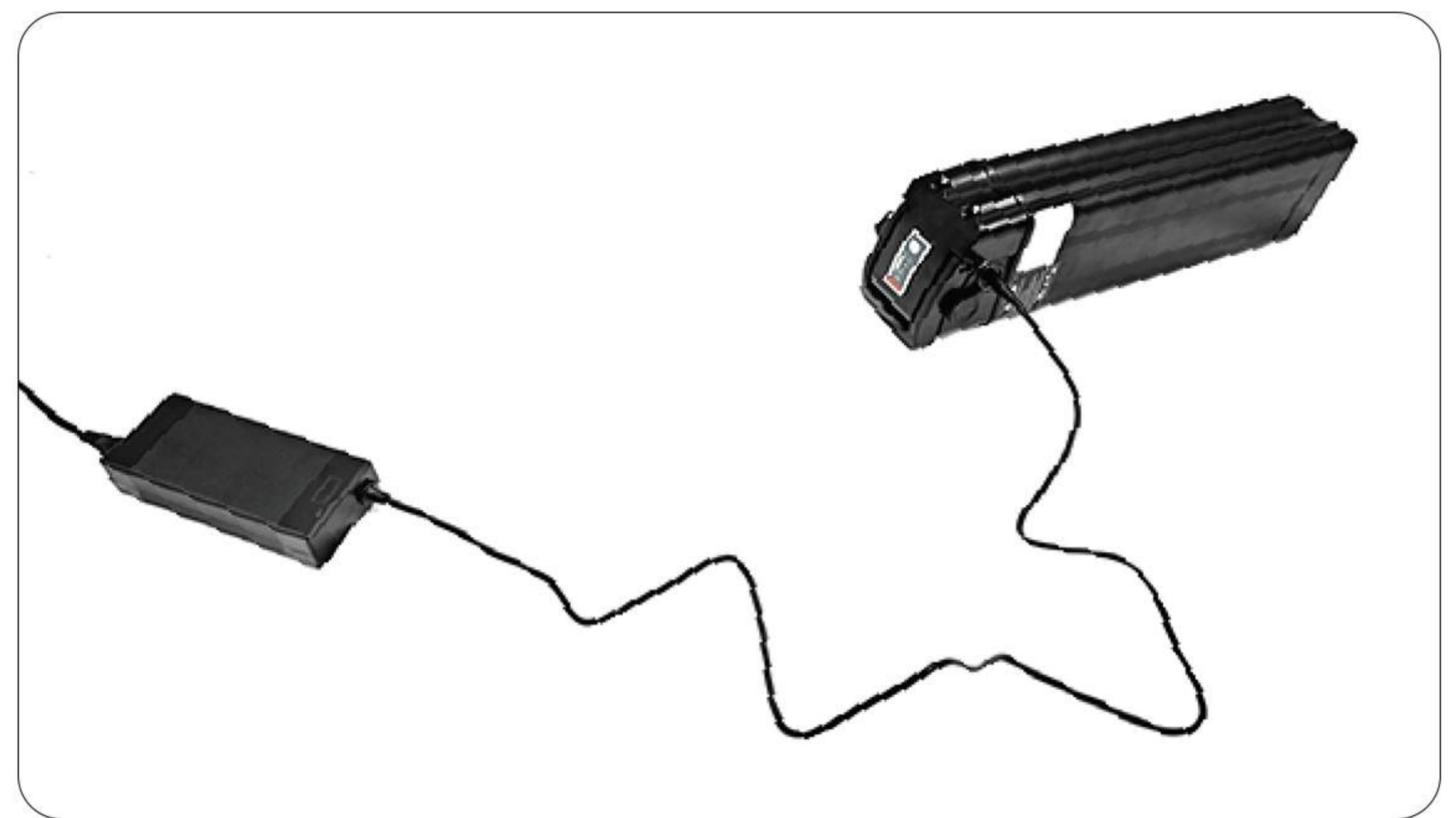
HOW TO CHARGE

ONESPORT provides you with both whole bike charging and external battery charging for your convenience to choose.



Whole bike charging mode:

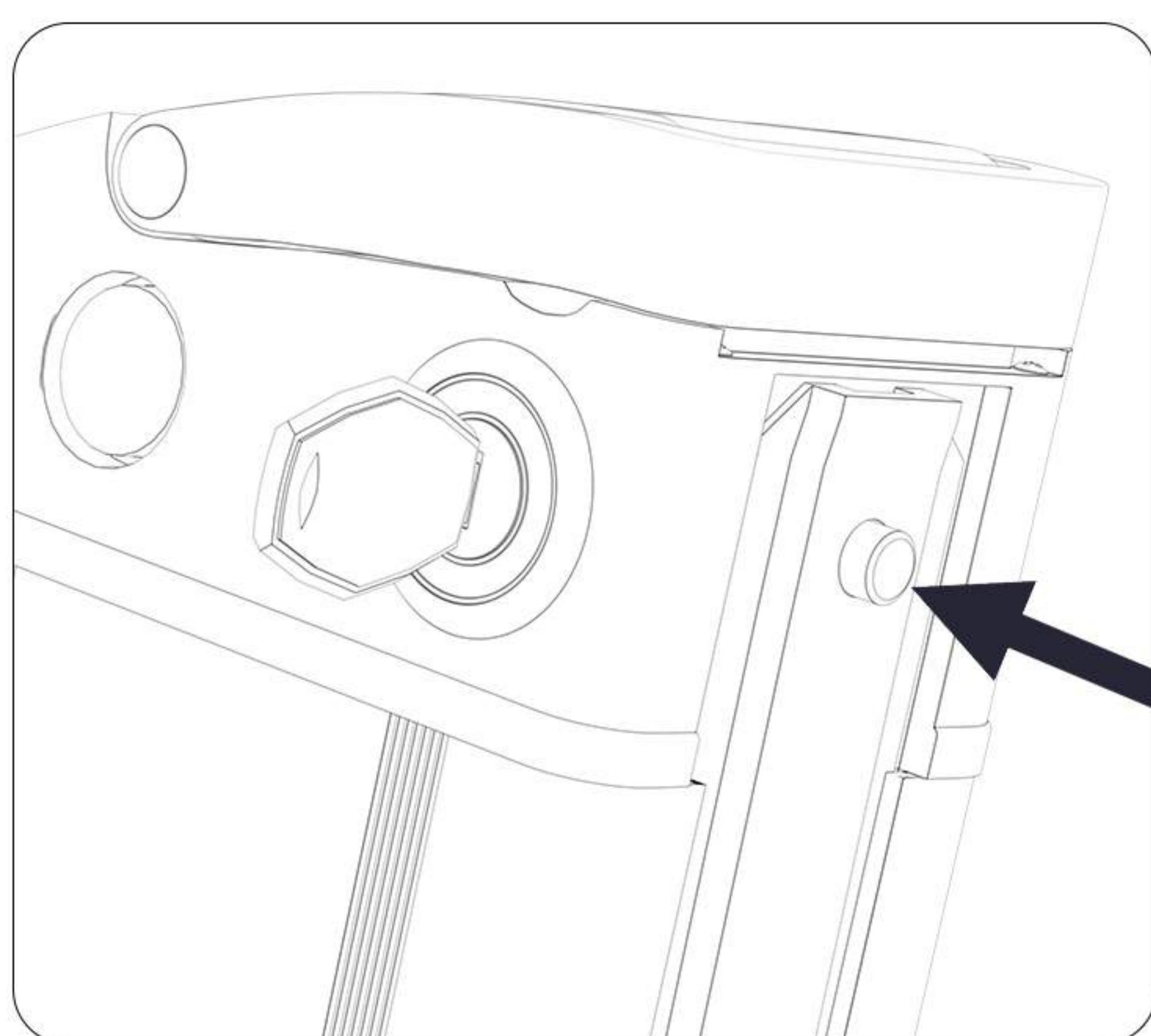
You can plug the charging plug into the body charging port and charge the E-Bike directly.



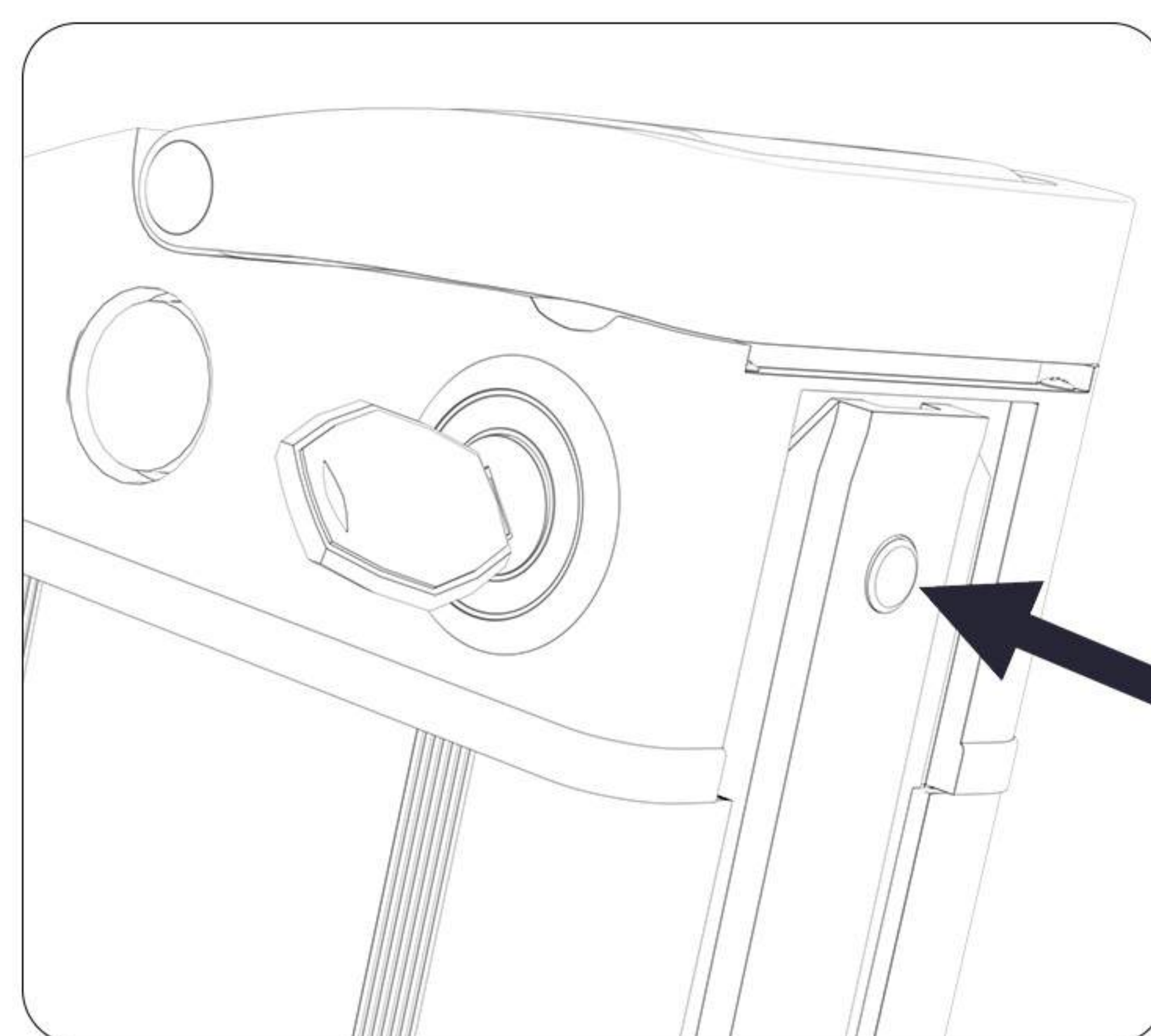
External charging mode:

Remove the battery and you can plug the charging plug into the battery charging port for external charging.

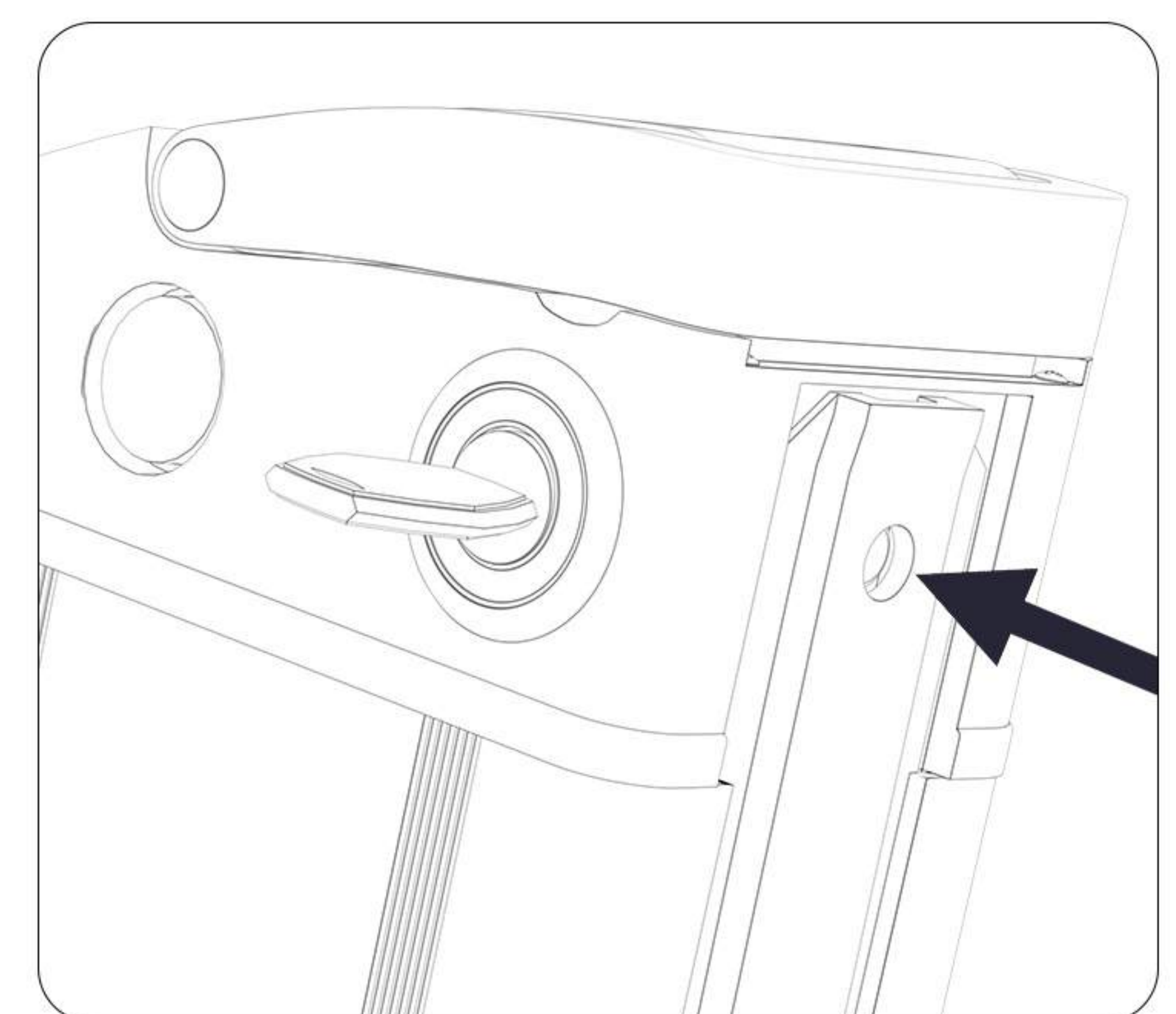
HOW TO CHARGE



Position 1: In this position, the battery starts supplying power, and the key cannot be removed.



Position 2: In this position, the key can be removed, but the battery will not supply power.



Position 3: In this position, the key can be removed, and the battery can also be taken out.



CHARGING SAFETY

- Do not use a charger other than ONESPORT to charge the E-Bike.
- When you receive the E-Bike, please charge the battery for the first time in time to ensure that the battery is fully charged when you ride it for the first time.
- Do not leave the battery unattended while charging.
- Avoid charging the battery at too high a temperature.
- Make sure there are no flammable objects around when charging.
- When the battery is not in use, it needs to be charged at least once a month.

Battery Safety:

- ⊘ If you find the battery is damaged, leaking, discolored, etc., please do not charge the battery.
- ⊘ When storing the battery, be sure to keep it away from heat sources and avoid direct sunlight.
- ⊘ Do not immerse the battery in any liquid.
- ⊘ Do not force the battery to remove, follow the instruction manual for the removal of the battery.
- ⊘ Battery charging time may increase depending on the time of use.
- ⊘ If the battery fails to charge, stop charging immediately.

Caution:

Please be careful when charging. Misoperation may cause property damage and personal injury.

When batteries are no longer in use, dispose of batteries according to local state regulations. Disposal regulations for lithium batteries vary by state, so it's important to know your local government's regulations. Lithium batteries should not be placed with regular trash.

INSTRUMENT INTRODUCTION



1. Switch on/off the Long button for 3 seconds to start
2. Increase gear/Press and hold for three seconds to turn on the light
3. Decreasing gear
4. Multifunctional display area
5. Speed display
6. Capacity display
7. Gear display
8. Warning horn switch
9. Horn Switch
10. Meter power lock, press the drop sound before the meter can be turned on by password.



Caution:

The meter tries to avoid unnecessary knocks.

Please do not modify the instrument parameters that are not explained in this manual, otherwise, it may not be able to ride properly.

ON/OFF LCD DISPLAY

Turn on the display

Press the instrument power lock, and after a beep, long press the "⏻" key for three seconds to start the instrument. Then enter the password; the default password is 0000. The "⏻" key serves as the confirmation button.



Turn off the Display and power off

Press and hold the "⏻" button for more than 3 seconds, and the display will be closed. Note: When the instrument is powered on, pressing the alarm switch will cause the instrument to shut down immediately.



OPERATING THE LCD DISPLAY

Increase Pedal Assist Level

Short-Press the " + " button.

Decrease Pedal Assist Level

Short-Press the " - " button.

Toggle Speed, Odometer,
TRIP, Trip Timer, VOL, Average
Speed Max Speed.

Press and let go of the " ⏻ " button.

Turn on headlights

Long press the " + " to turn on the front lights.

Reversing

Press the "-" key briefly to switch to the " Γ " position (the gear positions are 3, 2, 1, 0, Γ), then long press the "-" key to start reversing.



Caution:

The trip meter will reset when the bike is powered off. The maximum and average speed will be calculated for a given trip and will reset when the bike is powered off. When the bike has not been used for 10 consecutive minutes, the display will automatically shut down, The pedal assist and throttle features will no longer work when the display is turned off.

DISPLAY SETTING

To change display settings, hold the **+** and **-** button simultaneously to enter into the advanced settings menu. In this menu, clicking the "⏻" button will toggle between each numbered setting.

To adjust the value of each setting, click the **+** and **-** buttons accordingly.

Setting	Function	Default	Explanation
P01	Brightness	2	Backlight display brightness. The darkest level is 1, and the brightest level is 3.
P02	Distance Units	1	0:KM 1:MILE
P04	Sleep time	0	LCD Display sleep timer. 0, no sleep; other numbers are sleep time, range: 1-60; unit minute.

OPERATING SAFETY

Before riding the tricycle for the first time, ensure that you have read and understood this manual. Make sure you understand how to turn on and activate the pedal assist and throttle. When first riding the tricycle, take care to start slowly with a low level of pedal assist. Take your first ride in a safe area away from cars, other riders, pedestrians, or other potentially dangerous obstacles. Only move up pedal assist levels when you feel comfortable and have ample experience riding the tricycle. The higher pedal assist levels will accelerate you to higher speeds more quickly. Take care when riding the tricycle at any speed. Failure to adhere to warnings and guidelines in this manual can lead to serious harm, injury, or death. Damage sustained by the tricycle from failing to follow instructions, guidelines, and warnings in this manual is not covered under warranty. Do not lean on the tricycle when it is parked and the kickstand is in use.

HELMETS AND LOCAL LAWS

Always wear a helmet when riding your e-Tricycle. Ensure that the helmet fits your head and is securely tightened. Before riding, read local laws and comply with all rules relating to cycling and biking in your area. If you attach a seat for children to the tricycle, they must also be wearing properly fitted helmets at all times.

PRE-RIDE SAFETY CHECK AND INSPECTION

Before each ride, make sure to inspect your e-Tricycle to ensure there are no loose fasteners or accessories. Make sure to specifically check that both the front and rear axles are secure. Also, ensure that both the handlebars and the handlebar stem are not loose. Check the tire pressure of all wheels before riding to ensure the tires are inflated to the recommended pressure printed on the side of the tire walls. Pull the brake levers to make sure your brakes are working properly and adjust if necessary. Ensure both your seat post and handlebar stem are inserted past their minimum insertion points as indicated by the markings on them.

RIDING IN WET CONDITIONS

This electric tricycle can withstand light rain and small splashes but is not designed to be subjected to inclement weather, extremely heavy showers, or submersion in water.

**Note:* Use caution when riding in wet conditions as it will take longer to use the brakes to slow down, and also when turning as the tires may slip. The electrical components on the tricycle are not waterproof. The entire tricycle has an IP rating of 65. Water damage is not covered under warranty.

RIDING AT NIGHT

Riding at night comes with more risks than riding during the day due to decreased visibility, so riders are encouraged to exercise increased caution. Before riding at night, make sure that reflectors are installed on your e-Tricycle. For increased visibility, also ensure the front headlight and rear tail light are turned on and adjusted such that other people on the road can see them clearly. Riders should wear bright-colored clothing at night.

MAX WEIGHT

The tricycle can safely carry a total weight of 180 kg. Note that range and top speed will be affected by the total weight being carried by the tricycle. If you are over 120 kg, you should lock out the suspension fork before riding.

PRE-RIDE SAFETY CHECK

Ensure all components are properly secured before riding otherwise serious harm or death could occur. This includes but is not limited to: pedals, handlebars, handlebar clamp, cranks, seat, and seat post clamp.

- Make sure you can't twist the seat or stem out of alignment by hand.
- Check that your suspension fork is properly adjusted for the terrain and your weight. The suspension fork will affect the handling of the bike, primarily when going over bumps and stopping. In, in some situations, it may be advantageous to lock out the suspension so it is fully rigid.
- The suspension fork can be locked out so it is rigid, and the tension is adjustable. To adjust the suspension fork, use the blue knob. To fully lock the suspension, turn the knob clockwise towards the “lock” direction indicated until it cannot be turned further.
- To increase the stiffness, turn the knob clockwise towards the “lock” direction indicated. To make the suspension softer, turn the knob counterclockwise towards the “open” direction indicated.
- If you are over 120 kg you should lock out the suspension fork before riding.

- Ensure all cables and connectors at the front of the bike are securely connected or certain components may not work including the front light, the motor inhibitor switches, the LCD display, and the throttle. The motor inhibitor switches shut the motor off as soon as the rider hits the brakes. If these switches are not operational it will take longer to slow down which in some riding situations could cause injury or death to the rider. If you have installed any accessories make sure they do not interfere with all cables and connectors when turning the handlebars.

ERROR CODES

Error Code	Meaning
6	Battery undervoltage
7	Motor fault
8	Throttle fault
9	Controller failure
10	Communication reception failure
11	Communication transmission failure

WARRANTY

All Bikes should be operated in accordance with the ONESPORT owner's manual provided with the bike. ONESPORT warrants to the original registered purchaser that bikes shall be free from all defects in material and workmanship for a period of 12 months from the date of shipment when used in accordance with the owner's manual and for the purpose intended. All other obligations and conditions or liabilities, including obligations for consequential damages, are hereby excluded.

The warranty is non-transferable and only applies to the original owner.

This warranty gives you specific rights and purchasers may also have other rights, which may vary by location. Damage caused by failing to adhere to instructions and warnings issued by ONESPORT is not covered under warranty. Warranty parts will only be shipped within the continental EU. The warranty period for parts is as follows.

Warranty time is calculated from the sales date.

	Accessories	Warranty Period	Warranty Type
Electrical parts	Motor	12 months	Free repair of failure within One years
	Controller	12 months	Performance failure
	Lithium battery	12 months	Can't charge and discharge
	Charger	12 months	Performance failure
	Meter	12 months	Malfunction
	Turn handle	12 months	Malfunction
	Brake lever	12 months	No power-off function
	Throttle	12 months	No induction capability
Structure	Frame	12 months	There is natural welding, desoldering, and fracture phenomena
	Front fork	12 months	
	Riser	12 months	
	Handlebar	12 months	
	Crank	12 months	

Accessories sold on www.onesportglobal.com are not covered under warranty (except in cases of shipping damages). Stolen bikes are not covered under warranty.

Necessary precautions must be taken to ensure the bike and battery are not exposed to severe weather conditions.

Exposure to very wet, hot, or cold conditions may void the warranty.

For further information regarding after-sales policies, please visit the official website. WWW.ONESPORTGLOBAL.COM

We will replace any parts deemed to have been damaged during shipping. Shipping damage must be reported to ONESPORT within 14 days of shipment arrival. This applies to all products, including tricycles and accessories. You will NOT be refunded as compensation for your time or efforts in replacing damaged parts. Replacement parts will not be sent until photographic evidence has been provided to ONESPORT. ONESPORT may request additional documentation (such as video) to assist with accurately diagnosing the problem and processing the warranty claim.

Most warranty parts are fulfilled 1-10 business days after the request is put into our system by a customer service representative. Warranty parts are sent using UPS First Class, FedEx Express, or DHL depending on the size of the part. Warranty parts will not be expedited. Items including the chain, tires, wheels, tubes, battery handle, brake pads, cables and housing, grips, and spokes are considered wear items. These items wear down with normal use and are not covered under warranty. You are responsible for replacing and maintaining these worn items.

Any unauthorized alterations or repairs are not covered and may void this warranty. For warranty services, please contact ONESPORT online support by email at support@onesportglobal.com. Tricycles or parts returned without proper documentation may result in delayed service or denied warranty coverage. Warranty return shipping costs, along with duties and taxes, are the responsibility of the claimant.

ELECTRIC BIKE MAINTENANCE

REGULAR CLEANING

Cleaning the tricycle often will help to keep dirt, dust, and debris from getting into the engine and interfering with the motor. It also helps to keep all the mechanical parts moving properly without grinding against each other or blocking the chain. E-tricycles should be washed once or twice per week.

When you clean your e-tricycle, do not use a pressurized hose or stream of water. This might compromise the integrity of the seals around electrical equipment and wear them down, eventually leading to exposed and wet electrical systems that will then malfunction. Instead, use a low-pressure water stream or a wet rag, and dry the tricycle off once you're finished washing it.

LUBRICATION

To keep all the mechanics in working order, you can apply lubrication to the major moving parts, such as the chain. Use a special cleaning solution to clean off the chain before applying a tricycle-specific lubricant to it. This should ideally be done at least once a week if you use the tricycle often.

CHECK THE BOLTS

Do a quick inspection and check for any loose screws, bolts, nuts, or anything else on the tricycle. If there is too much play in the bolts, tighten them up slightly and see if you can identify the cause of the looseness. Be careful not to overtighten the bolts.

TIRE PRESSURE

You can check the current pressure in the tires by using a simple pressure gauge. If it's too low, or if the tires visibly sink when you press your finger into them, use your bike pump to inflate them to the recommended pressure indicated on the tires.

BRAKE PADS

Inspect the brake pads on your tricycle every few weeks to see how they are holding up. It's essential to have effective brakes to avoid serious accidents. Brake pads are easy and inexpensive to replace whenever necessary.

WATERPROOFING

The battery and motor of an e-tricycle are well-sealed to prevent water damage. However, this does not make them completely waterproof. With common sense and proper care, you can avoid water-related issues. Avoid using a jet wash or fully submerging the tricycle. The motor is housed in a factory-sealed unit and should never be disassembled for maintenance or to fix a problem.

BATTERY CARE

Charge the battery at room temperature in a dry location. To extend the battery's lifespan, avoid leaving it fully charged or fully discharged for long periods. If the tricycle is not in use for an extended period, disconnect the battery. The battery will gradually lose charge, so top it up occasionally. Avoid storing the tricycle for long periods without charge—maintaining a 30 to 60 percent charge is ideal for long-term storage, according to e-bike system manufacturers.

Extreme heat and cold can damage electric tricycle batteries. Store the battery in a cool, dry place out of direct sunlight. During winter, particularly when the temperature is below 0°C, charge and store the battery at room temperature and reinsert it into the tricycle just before riding.

DISCLAIMER

Riding any kind of tricycle comes with inherent risks and dangers that cannot be predicted or avoided. These dangers could result in a serious accident, injury, or death of the rider. It is the sole responsibility of the rider to become properly educated and prepared to ride safely.

Once in possession of the tricycle, ONESPORT strongly encourages and recommends that all customers have a certified and reputable bicycle mechanic complete a full inspection of each component on the tricycle to ensure it is safe for operation. ONESPORT makes no claims or guarantees that the brakes, battery, frame, motor, motor controller, LCD display, electrical cables, electrical cable housings, fasteners, grips, fork, stem, shifters, headset, seat post, seat post clamp, handlebar stem clamp, saddle, wheel hubs, handlebars, spokes, rims, tires, tubes, derailleur, freewheel, cassette, throttle, kickstand, lights, reflectors, hardware, bottom bracket, or any other part or accessory will be properly secured and adjusted upon arrival.

Before every ride, fully inspect your tricycle to ensure everything is secured and adjusted properly. Under no circumstances is ONESPORT responsible for any damage resulting from damaged, defective, or improperly secured parts. This includes, but is not limited to, damage to personal property, personal injury, or death.