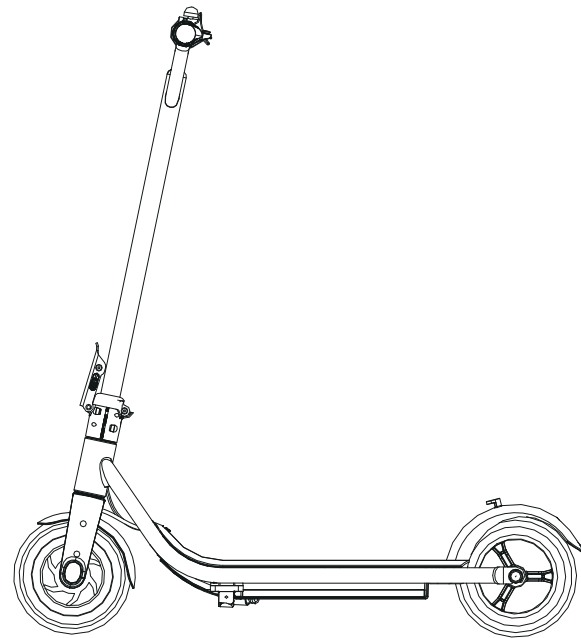


USER MANUAL

Electric Scooter

A guide for your ride.

Important: Read carefully and retain for future reference.



About the manual

- 1.Thank you for choosing and purchasing our electric scooter series products!
- 2.The manual introduces the safe operation instructions and precautions of the electric scooter. Please read them carefully before using them for the first time. If it is not used according to the manual, it may bring danger. Our company will not bear any responsibility for the personal injury or property loss caused by it!
- 3.For the safety, please read the manual carefully before use to ensure correct and safe driving!
- 4.If you have any questions in the use process, or can not get the information you need from the manual, please contact your dealer in time!
- 5.Electric scooter is only suitable for children aged 8-12.



Please keep the manual properly for reference at any time!

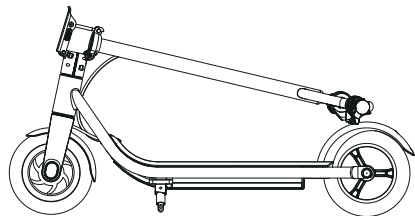
Content

1. Packing list	4
2. Product Introduction	5-7
3. Product assembly.....	8-21
4. How to ride	22-23
5. Safety notes	24-27
6. Battery instructions	28-29
7. Maintenance	30
8. Warranty card	31

1.Packing list

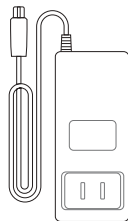
1.1.Product

Electric Scooter*1



1.2.Accessories

Charger*1



User Manual*1



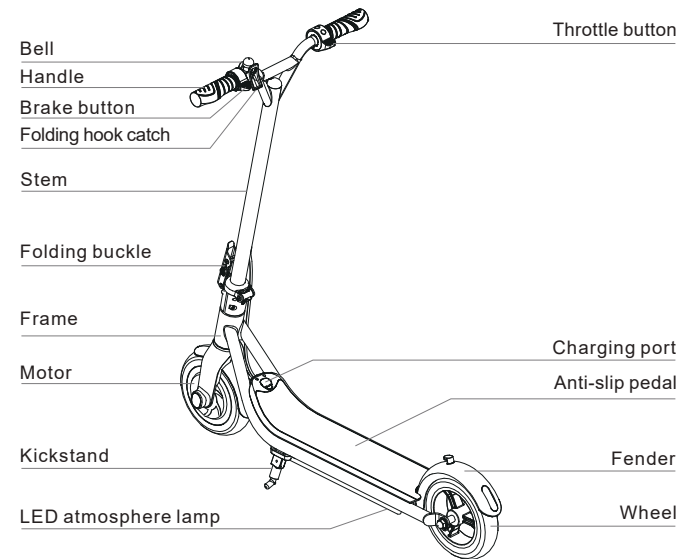
Wrench*1



*If anything missed, please contact the dealer in time!

2.Production Introduction

2.1 Overall View



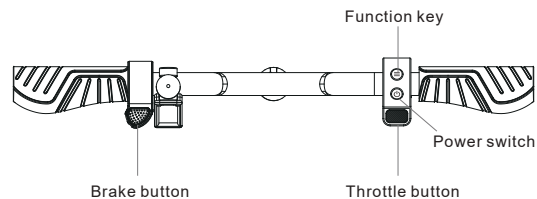
Note: Images may not reflect exact appearance of actual product.

2.2 Instructions of Buttons

1. Power switch: long press the power button to turn on/off.
2. Acceleration: When the sliding speed is greater than or equal to 4KM/h, press the accelerator to accelerate the scooter.
3. Braking: Press the brake finger and the scooter starts to decelerate and brake.
- 4, gear shift: short press the power button, cycle shift!
A, a file-white light;
B, second gear-the green light is on;
C, third gear-red light is on.
5. Ambient light switch: long press the function key 2S to switch the ambient light, short press the function key to switch the color of the ambient light. When Bluetooth is not connected, the ambient light will be lit in a preset state, and when Bluetooth is connected, the ambient light will flash at the music rate.
6. Whenever music is playing through the bluetooth speaker, the lights will pulse in sync to the musical beat.

If you are having trouble connecting with the speaker, try:

1. powering the scooter off and then back on.
2. powering your personal device off and then back on.
3. clicking the scan button to refresh the list of detected products.



2.3 Product specs

Open size	940*475*1030mm
Folded size	940*475*450mm
Net weight	11kg
Frame material	Steels
Tire size	8inch
Range	10-15km
Max speed	15km/h
Power	200W
Climbing angle	10°
Pedal width	150mm
Pedal height above ground	126mm
Chassis height	63mm
Battery capacity	5Ah /108Wh
Charger parameters	DC25.2V/1A
Motor drive	Front wheel drive
Battery removal method	Non-removable
Waterproof grade	IP54
Applicable height	120-160cm
Load Range	100kg

*Product range, Speed, Battery life, And other specifications may vary based on rider and riding conditions.

3. Product assembly

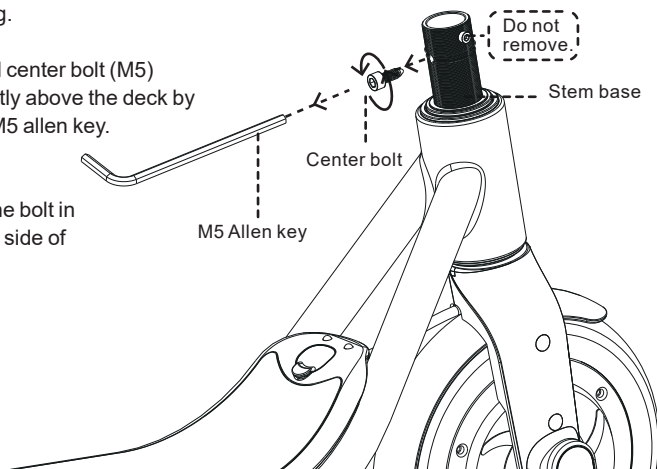
3.1 Assembling the handlebar

1. Prop the scooter base up on its kickstand.

⚠ **Important:** Handle the semi-attached stem with care. Take care not to tug or tangle the wiring.

2. Loosen and remove the pre-installed center bolt (M5) on the stem base with the head directly above the deck by turning it counterclockwise with the M5 allen key. Set the center bolt aside.

⚠ **Important:** Do not loosen or remove the bolt in the stem base with the head facing the side of the scooter.

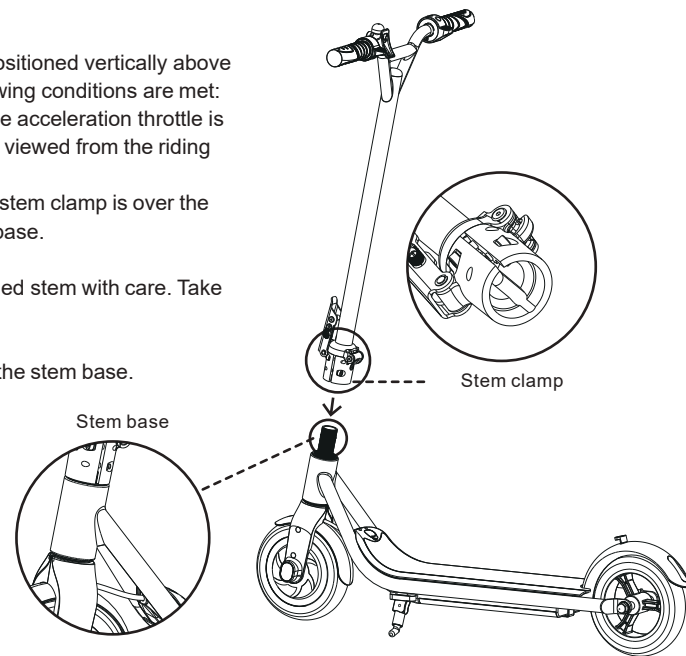


3. Carefully raise the stem so it is positioned vertically above the stem base such that the following conditions are met:

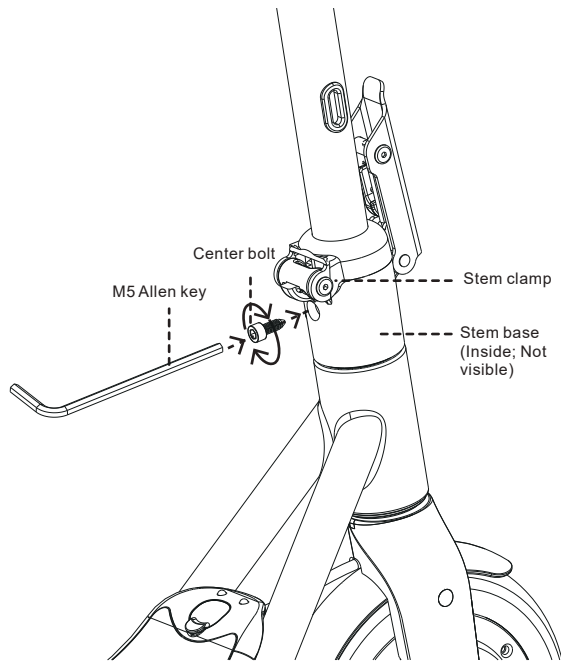
- The side of the handlebar with the acceleration throttle is on the right side of the scooter as viewed from the riding position.
- The channel on the inside of the stem clamp is over the bolt on the right side of the stem base.

⚠ **Important:** Handle the semi-attached stem with care. Take care not to tug or tangle the wiring.

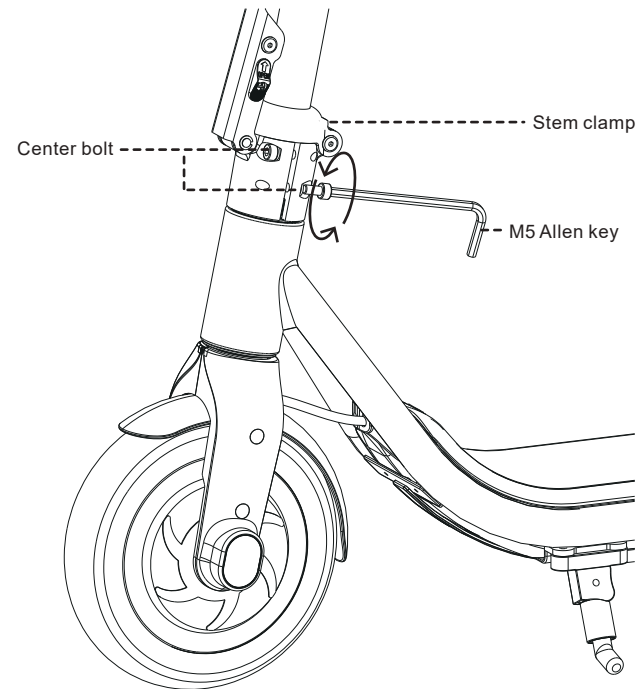
4. Gently slide the stem down onto the stem base.



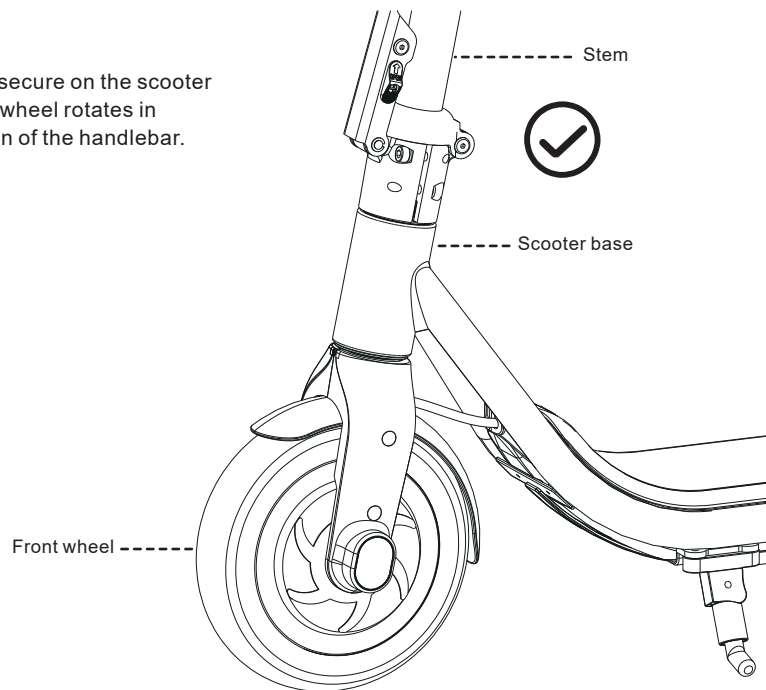
5. Reinsert the removed bolt through the aligned holes in the stem clamp and stem base by twisting it in clockwise. fully tighten the bolt with the 5mm allen key.



6. Tighten the two bolts on the left side of the stem clamp by turning them clockwise with the M5 allen key.



7. Check that the stem is secure on the scooter base and that the front wheel rotates in alignment of the rotation of the handlebar.

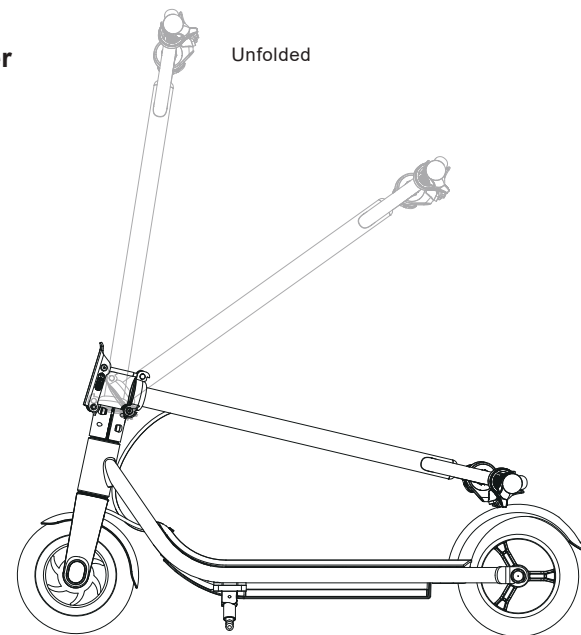


3.2 Folding & Unfolding the Scooter

When to fold: for storage and transport

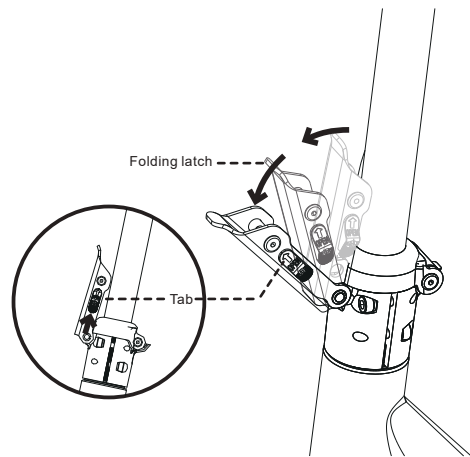
When to unfold: for riding

⚠ Important: Do not lift the scooter by the handlebar. to transport it, secure it in the folded position and carry it by the stem.

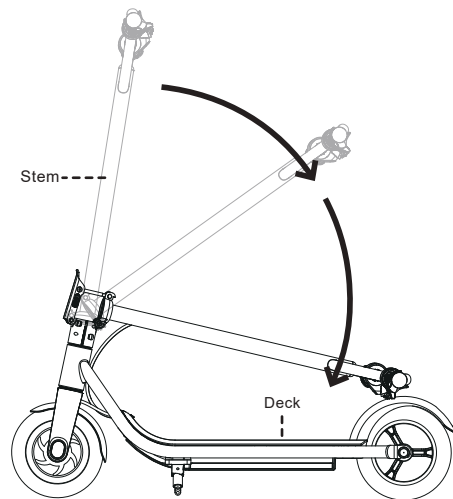


To fold:

1. Push the tab on the folding latch up, then pull the latch open and away from the stem.

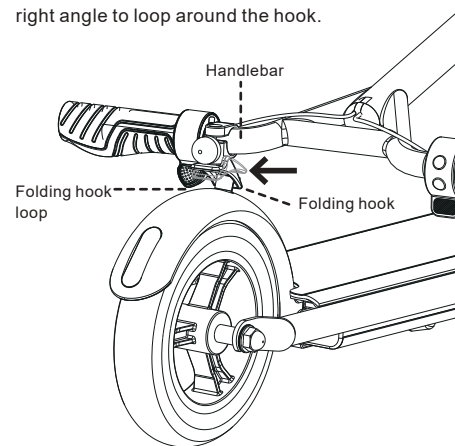


2. Lower the stem down over the deck.



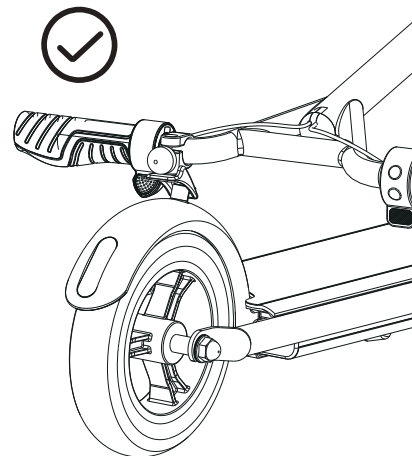
3. Push the folding hook catch down until it loops around the folding hook.
4. Check that the scooter is secure in the folded position.

⚠ Important: If the folding hook catch is not aligning with the hook or looping around it. It may be necessary to rotate the catch mechanism on the handlebar until the catch mechanism is at the right angle to loop around the hook.



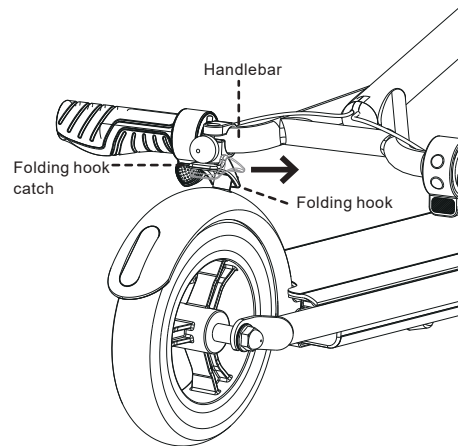
Correct:

The folding hook catch is properly aligned to "catch" the hook.

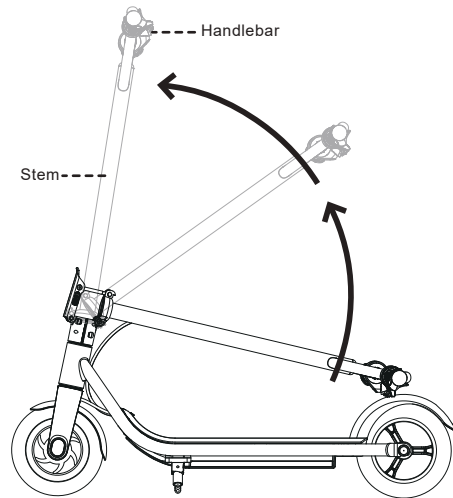


To unfold:

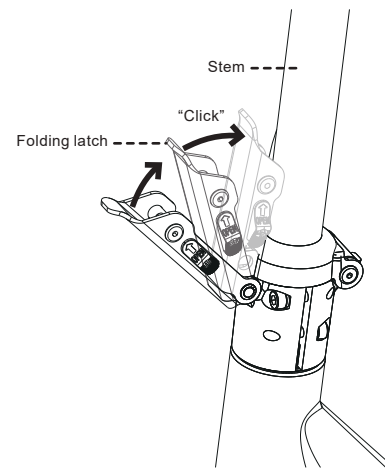
1. Push the folding hook catch away from the rear fender to release it from the folding hook.



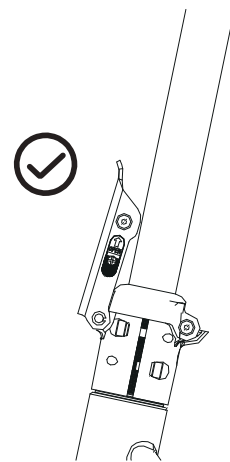
2. Raise the handlebar towards the front of the scooter until the stem is fully upright.



3. Forcefully push the folding latch against the stem until it clicks closed.

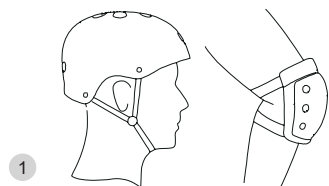
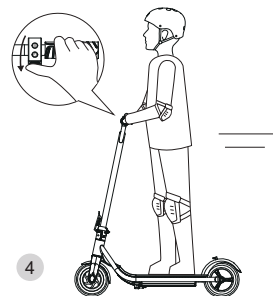


4. Check that the stem is secure in the vertical position.



4.How to ride

- 1.Wear helmets and other protective equipment before riding.
- 2.Long-Press the power button to turn on scooter, stand on the pedal with one foot, press the accelerator, and push you forward with another fot.
- 3.When the electric scooter is sliding, put the other foot on the pedal and keep both stability.
- 4.Continuously press the throttle to speed up. Turn the handle to adjust the direction.



- 5.Press the brake finger dial to slow down or stop.

⚠ **Important:** Riding in rain or snow, the braking distance will be extended, Pls pay attention to slow down.

- 6.When the scooter runs at a slow speed or it stops at a slow speed, you can get off.

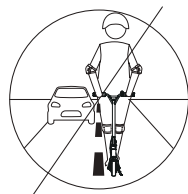
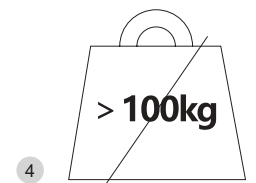
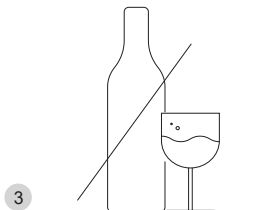
7.Please don't ride at a high speed before you are familiar with the performance of the scooter to avoid accidents.



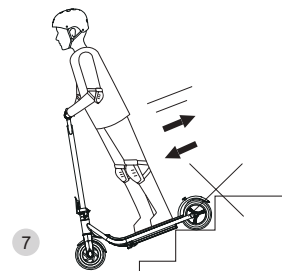
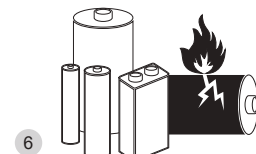
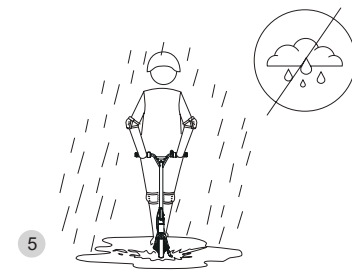
5.Safety notes

1. Please comply with traffic laws when using electric scooters.
Don't ride it on the motor lanes.
2. Don't park electric scooters in the building's lobby, evacuation corridor, or safety exit.
3. Don't ride after drinking or taking medicine.
4. Don't ride with overweight (maximum load: 100Kg).

⚠ Electric scooter is only suitable for riding on flat roads, and it is forbidden to use it on steep slopes!



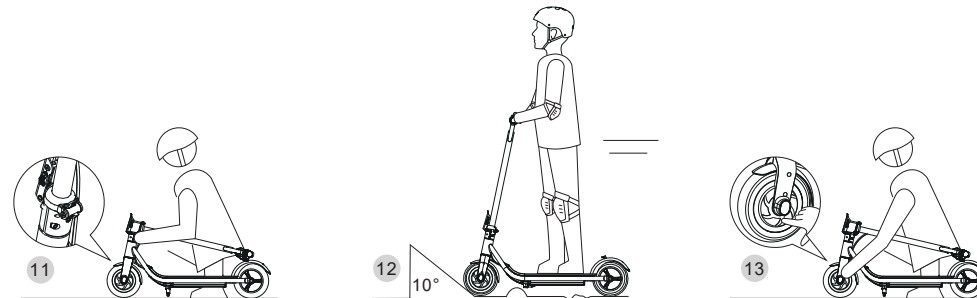
5. Forbidden to ride on the road with heavy water, which is easy to cause danger.
6. Forbidden to modify the battery of an electric scooter privately. Modification of the battery is dangerous, and improper operation may cause the battery to explode or fire.
7. Forbidden to ride electric scooters up and down steps or jumping obstacles.



8. Forbidden to leave the handlebar with one hand or both hands at the same time when riding.
9. Do not call or listen to music when you ride the e-scooter.
10. Forbidden to modify electric scooters privately. Private modification may cause an unstable electronic system and cause danger when riding.



11. Before riding an electric scooter, please carefully check the scooter's condition to make sure that there are no signs of looseness or damage on any part.
12. Be careful of the road with roadblock, sandstone, ponding, mud, wet, ice and snow, slope ($>10^\circ$) stairs, dark area when you are riding.
13. After riding for a long time, the motor hub and disc brake disc would be possible with high temperature. Don't touch them directly to avoid scalding!



6. Battery instruction

This is about how consumers charge and maintenance, also hereby listed the detailed spec of battery for your info, please refer to this manual well and follow so as to keep long lifespan, performance for the battery.

6.1 Battery Parameters

Name	Parameter
Type	Li-ion battery
Voltage	21.6V
Battery Capacity	5Ah
Max Charging Voltage	25.2V
Max Charging Current	1A
Charging Time	5-6 hours
Working Temperature	0°C-35°C
Charging Temperature	0°C-35°C
Store Time(-10°C -40°C)	3 months (full charge)

6.2 Warns for battery

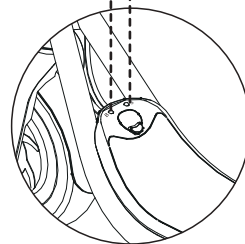
1. The battery must be charged and used within the temperature range required by the battery specification to make the electric scooter work stably and efficiently.
2. Please make sure you take off the charger when you install the battery to prevent any danger from happening.
3. It is never allowed to dissolve or impale the battery, also make sure NO metal stuff go contact with the battery pin electrode, otherwise it might break the battery.
4. It is forbidden to disassemble or pierce the battery pack casing to avoid short circuit caused by metal objects contacting the battery contacts, otherwise it may cause battery damage or personal injury.
5. It is potentially causing fire or explosion if water enters battery circuit, thus stop using the battery in case this happens and go to the after-safe immediately.
6. You are only allowed to charge the battery with the original adaptor packed, otherwise it will be causing any unexpected consequence.
7. If finding the battery broken and smells bad or felt hot, you need to stop using and keep the battery away from other stuffs.
8. It helps prolong the lifespan if storing battery after 100% fully charged.
9. It is not allowed to store the battery under -20°C or higher 50°C condition.
10. You have to charge it to at least 80% capacity if the battery has not been used for more than 30 days. Better to charge it 100% full every 90 days to protect the battery function.
11. It will help prolong the battery lifespan significantly that you charge well according to the manuals after every driving instead of running it out. At room temperature, the battery can play a higher range and performance. But battery life and performance will degrade if used at temperatures below 0°C. Typically, the range may be half or less than at room temperature at -10°C.
12. Do not charge and park electric scooters in residential buildings. Keep away from combustibles when charging, and the charging time should not be too long.
13. Improper disposal of used batteries may seriously pollute the environment. Please abide by local regulations when disposing of this battery.

6.3 Charging the battery

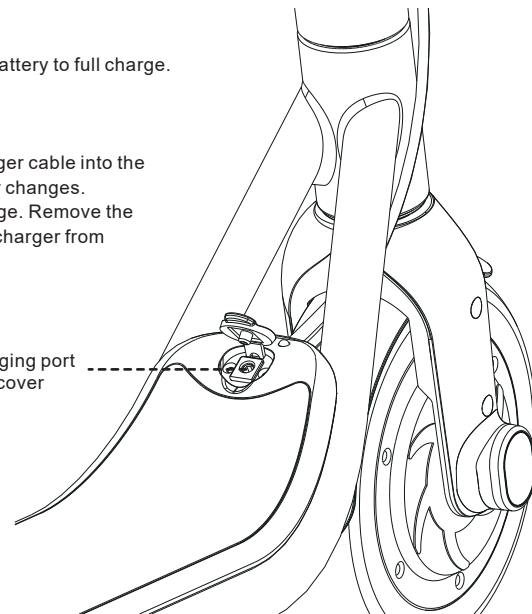
Note: It can take approximately 5-6 hours to Bring the battery to full charge. Fully charge the battery prior to first use.

1. Pull open the charging port cover on your scooter
2. Plug the charger into the wall, and then plug the charger cable into the charging port. When the indicator light on the charger changes.
3. From red to green, your battery has reached full charge. Remove the charger cable from the charging port and unplug the charger from the wall outlet.
4. Close the charging port cover.

Electric quantity light Speed mode indicator light



Charging port with cover



7.Maintenance

Tips:

- Please charge your electric scooter before storage, for preventing the battery from discharging too long time.
Please ensure charge at least once every three months.
- If the storage environment temperature is lower than 0°C, please don't charge electric scooter.
Please put it in inside environment temperature (above 10°C) and then charge, storage temperature is 0°C-35°C.
- Please keep the electric scooter in a suitable place indoor, dry and appropriate temperature.
You can mask the electric scooter to prevent from the dust.

Maintenance considerations:

- Make sure the electric scooter charger and charging line are disconnected and ensure that the electric scooter is off.
- Wipe the shell with a soft cloth to clean the electric scooter. Please don't put more lubricating oil on bearing when you do the maintenance for it.
- Please check the brake system and tire are vulnerable parts at least once a month. When the brake performance and tire grip are reduced, please contact the dealer to replace the corresponding parts.
- Please do not replace the accessories which not provided by manufacturer without permission, to avoid the safety hazard caused by the inconsistency for accessories with the scooter.
- It is forbidden to clean electric scooters by using water cannon or soaking in liquid. This will cause permanent damage of the electronic devices in the host.
- In order to protect the user's safety, the user can not take apart the electric scooter, otherwise, the user will give up the maintenance warranty rights of the product automatically.

8.Warranty card

8.1 The product has passed the inspection of the quality control department and allowed to be sold.


Please keep the warranty card and purchase invoice properly, and present the warranty card and purchase invoice when repairing.

Effective date :

Quality inspection pass seal:

8.2. Warranty Card

Username		Gender	
Mailing address		Age	
Phone		Zip	
Purchase address			
Price			
Description & Specification			
Dealer signature			
Sales order number			
Body number			
User signature			

 Please keep the warranty card and purchase invoice as after-sales proof. This card must be provided during the warranty.
If this card is not provided or the card is altered privately, the company has the right to do non-warranty treatment!