

Dear users! Before enjoying a pleasant ride, make sure to carefully read the Owner's Manual, understand the relevant operation requirements, and properly store the Owner's Manual together with the accompanying product certificate. Do not use the electric bike until you have fully understood its performance!

Safety notes

Dear users,

The Owner's Manual describes the essential operation and maintenance methods of the electric bike. To enhance your riding experience, please consult this manual to familiarize yourself with the performance, features, safety notes, and maintenance needs of this product. If you have any questions, please contact the official after-sales team or local authorized service station in time. We will offer you diagnostic assistance as soon as possible.

Safety notes

1. Please ensure you comprehend and adhere to the safety notes outlined in this manual to significantly mitigate risk. Upon entering public spaces, please abide by all national and local laws and regulations. Remain vigilant while riding and maintain a safe distance from others and vehicles.
2. The electric bike must be operated according to the guidelines in the manual. The user will be responsible for any loss resulting from failure to follow the manual's guidelines.
3. According to the CE15194 standard, this product belongs to electrically power assisted cycles. You must continue to pedal to obtain power assistance. Under 6 km/h, you can use the push mode without pedaling; above 6 km/h, you must pedal to obtain the auxiliary output of the motor.
4. This product is not designed for professional off-road riding. Do not use it for off-road mountain biking, so as to avoid the risk of falling due to insufficient performance to support off-road riding.
5. For your initial ride, choose a private area free of traffic. Once you're comfortable with the product, you can venture onto public roads.
6. Before each ride, please ensure to thoroughly inspect for any loose fasteners or damaged parts. If this product makes abnormal sounds, please stop riding immediately and seek diagnostic support from the official after-sales team.
7. Avoid exceeding the speed limit. Never ride in areas where motor vehicles are present, regardless of the circumstances.
8. For safety reasons, users under the age of 16 are strictly prohibited from using this product. The use of this product is prohibited in the following situations:
 - Individuals under the influence of alcohol or drugs.
 - Individuals unable to participate in strenuous physical activities due to illness.
 - Individuals who are unable to maintain balance or who struggle with balance due to underdeveloped motor skills.
 - Individuals whose weights exceed the limit. (For the weight limit, see 2.1.1.)
 - Pregnant women.
9. Be careful when using this product in bad weather such as snow, rain, slippery roads, ice, etc. In these conditions, the braking distance may increase.
10. Do not attempt to charge this product if the charger or power supply is wet. When charging this product in a public area, ensure adherence to local safety laws and regulations.
11. In order to effectively protect and use your bicycle easily, please always use officially specified parts. Otherwise, unpredictable dangerous situations may occur due to incompatibility, especially for electronic parts such as batteries and motors.
12. If you want to modify your electric bike, please consult the official after-sales team and proceed with caution, ensuring adherence to local laws and regulations. The manufacturer assumes no liability for injuries or bicycle damage resulting from unauthorized modifications. (Changing any unofficial electrical components and non-standard mechanical parts such as chains/brakes, etc., will be considered unauthorized)
13. To minimize the risk of injury, please be sure to read and follow all prompts including "Caution", "Danger" and "Warning" in the Owner's Manual.

- **Danger:** Ignoring this warning could result in personal injury. To minimize harm to yourself and others. This notice specifies the actions you must take or avoid!
- **Warning:** Ignoring this warning could result in damage to the bike and its components. This notice specifies the actions you must take or avoid!
- **Caution:** Ignoring this warning could result in minor damage to the bike or impair its normal operation. This notice specifies the actions you should and should not take.

1. Introduction

- 1.1 Packing list
- 1.2 Components
- 1.3 Functions

2. Quick Guide

- 2.1 Installation guide
- 2.2 How to fold the bike
- 2.3 How to remove the battery
- 2.4 How to charge
- 2.5 Quick operation
- 2.6 Instrument setting

3. Notes For Maintenance

- 3.1 Notes for operation
- 3.2 Maintenance and self-inspection
- 3.3 Troubleshooting
- 3.4 Rear derailleur cage precautions

4. Service Guide

- 4.1 After-sales service and warranty coverage
- 4.2 Warranty card and repair record
- 4.3 Product parameters



App Download
For Android



App Download
For IOS

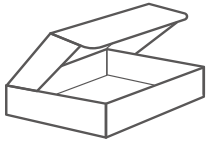


Installation video



Manuals in other
Languages

1. Introduction



Manual



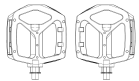
8-10 13-15 16-18

Wrench

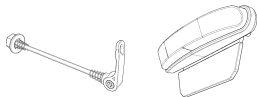


M4 M5 M6

Screwdrivers



Pedal x 2



Taillight



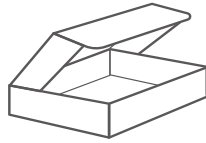
Air Pump



Screwdriver



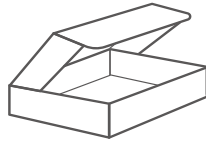
Spare parts kit



Kickstand



Foldable riser / Stem



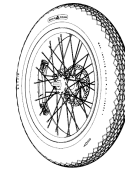
Charger



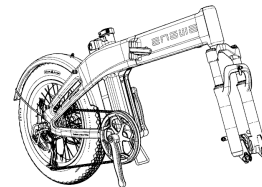
Rear rack



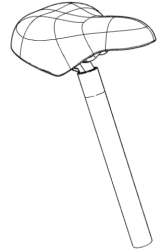
Handlebar



Front tire



Frame body



Saddle

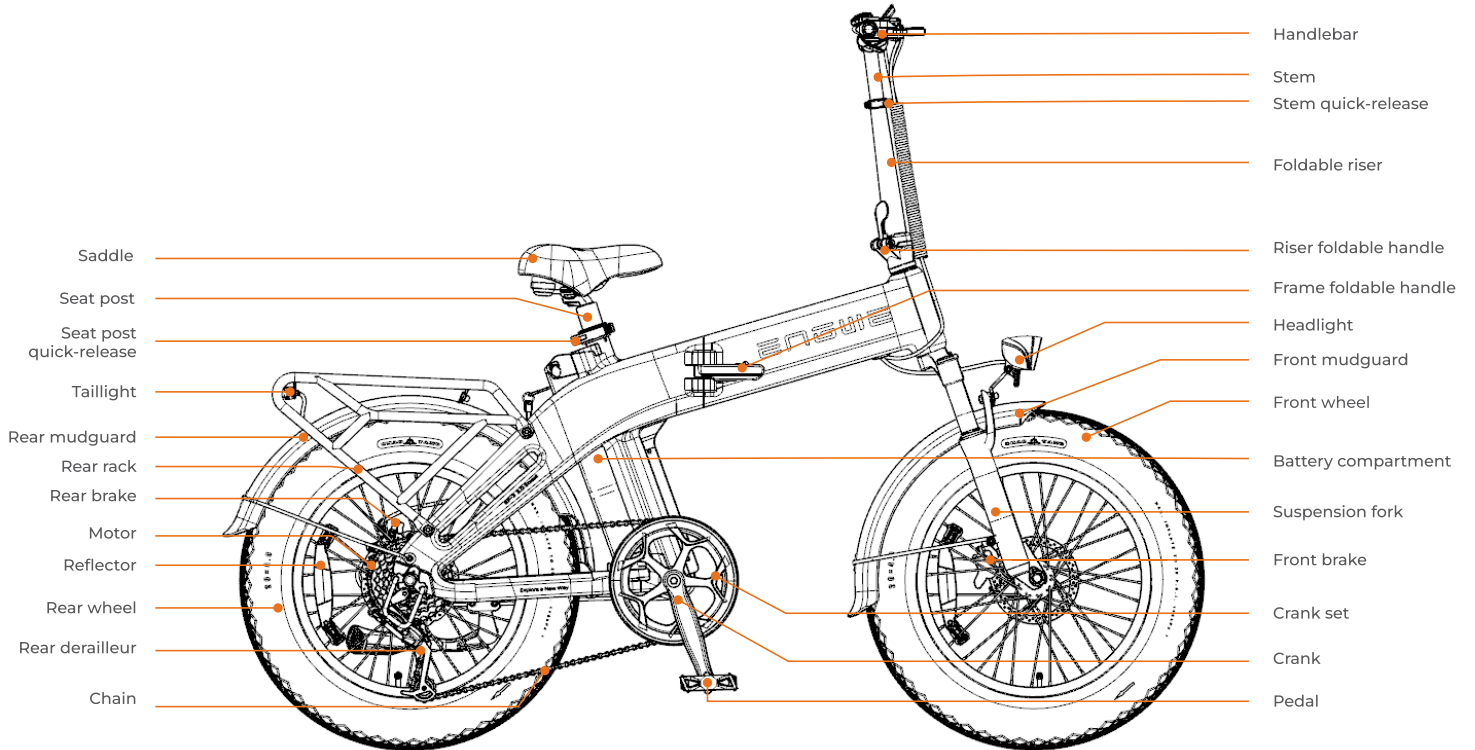


Front Mudguard

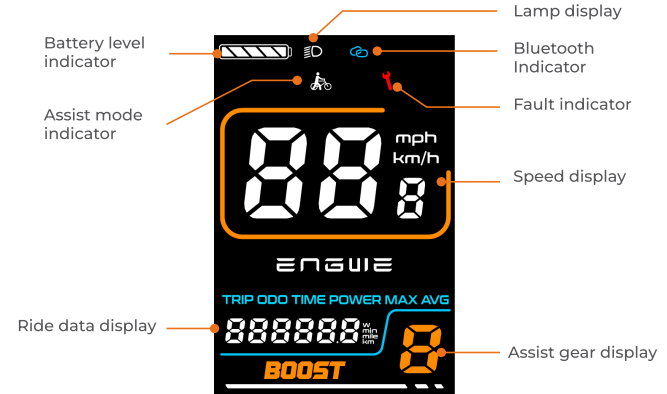
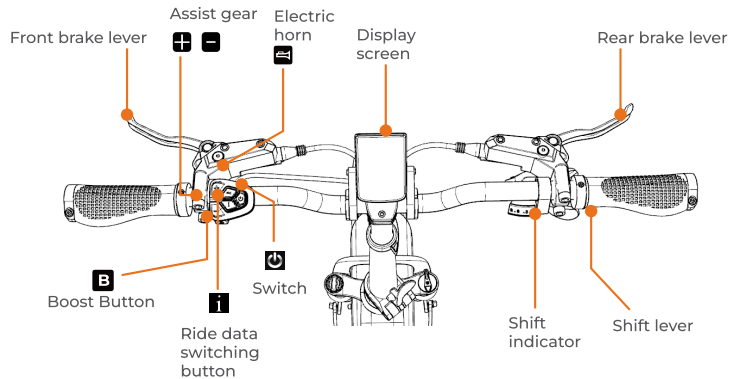


Headlight

1.1 Packing list



1. Introduction

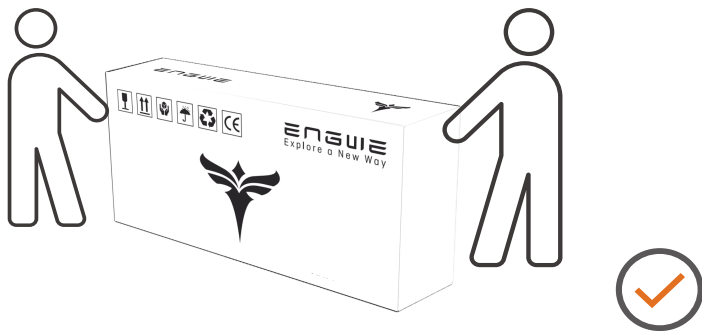


Common functions

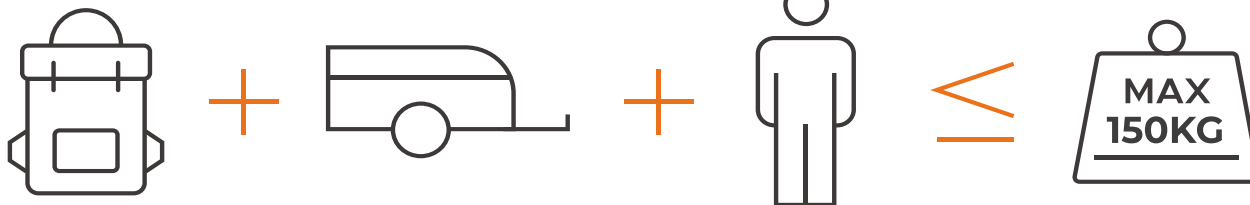
1. Power-on/off: press for 2 s to power on, and hold for 2 s to power off.
2. Assist gear adjustment: press / to adjust the gear.
3. Assist: press and hold the button to enter the assist mode. The speed is 6KM/H, and the screen displays the assist mode icon . Release the button , then the assist mode stops immediately, and the assist mode icon disappears.
4. Electric horn: press to alert.
5. Headlight switch: press button about 2 s, the lights turn on, and instrument brightness will dim; Press the button again, then the lights are turned off and instrument brightness is restored.
6. Boost button: In addition to the normal power-assist mode, the power-assist system also supports Boost mode, which can continuously provide additional power for a short period of time, during which it can help users ride with greater peak torque, suitable for riding scenarios such as uphill and off-road. Press and hold the B button to activate Boost mode, and there will be no power assistance if you stop pedaling during the effective time.
7. Riding data switching: after the instrument screen is turned on, the instrument screen will display the real-time speed and trip meter by default. Press the button to switch the display information between the trip meter, odometer, maximum speed and average speed.
8. Fault code indication: when the electronic control system of the electric bike fails, the instrument will automatically display the fault code. For the definitions of fault codes, see 3.3 Fault codes.

1.3 Functions

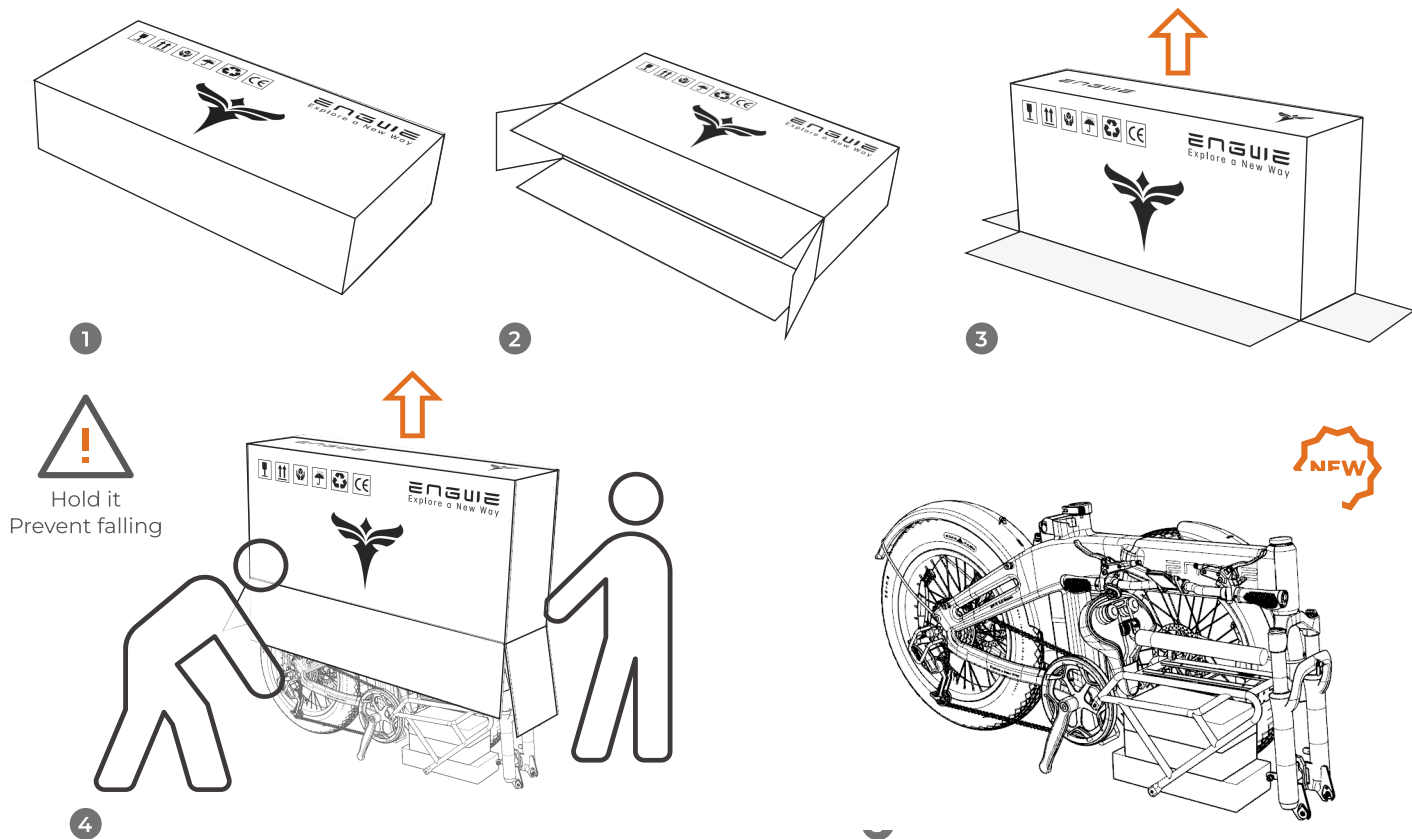
- Warning: The bike shall be disassembled and assembled by two individuals. Before assembling, make sure that the power system is turned off and will not be turned on accidentally.



 Maximum load 150KG

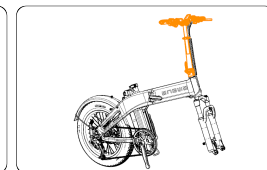
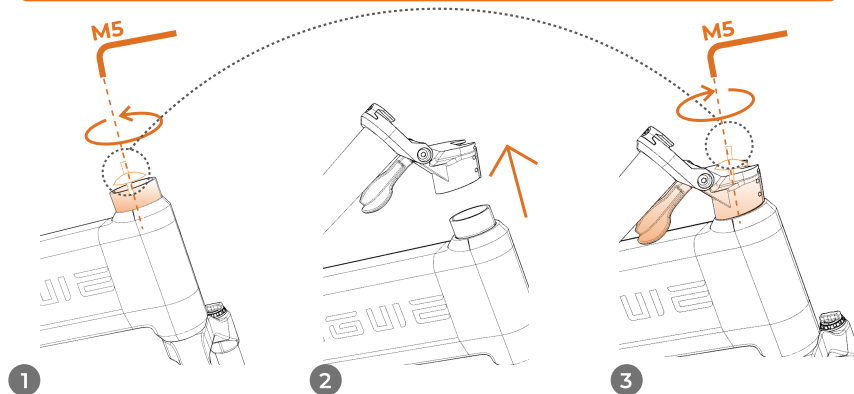


2. Quick guide

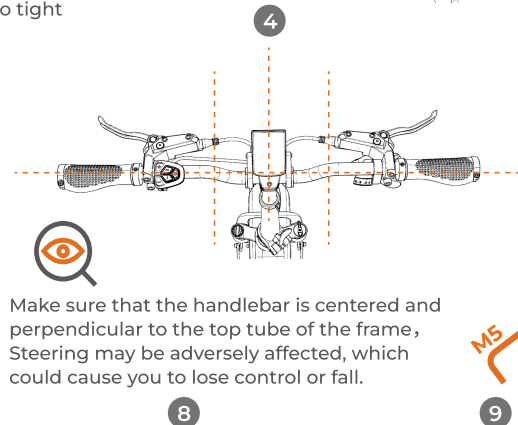
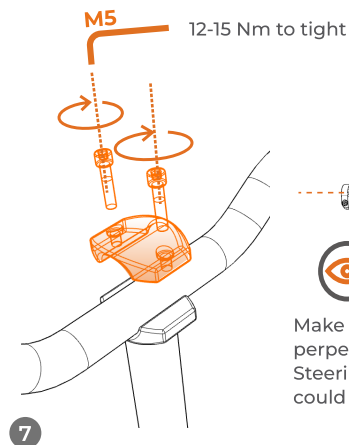
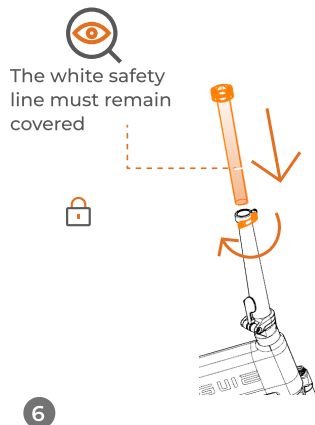
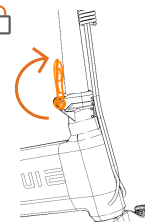
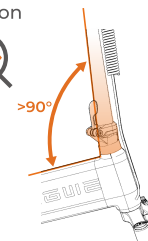


2.1.2 Installation guide - unpacking

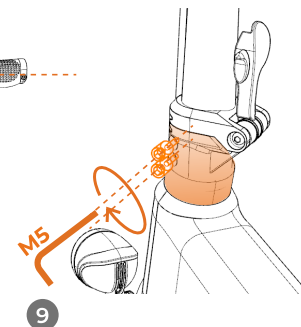
Warning: Clockwise direction is to tighten, counterclockwise direction is to loosen.



Correct Installation

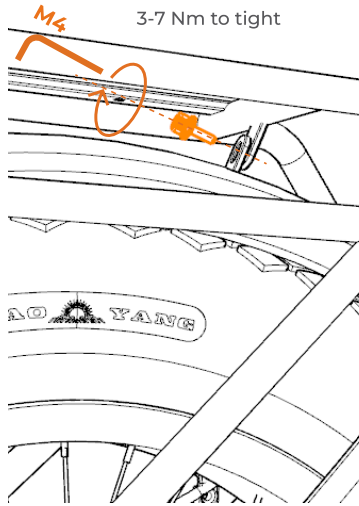
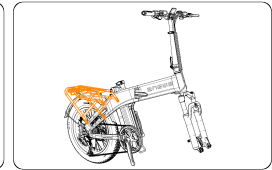


Make sure that the handlebar is centered and perpendicular to the top tube of the frame, Steering may be adversely affected, which could cause you to lose control or fall.

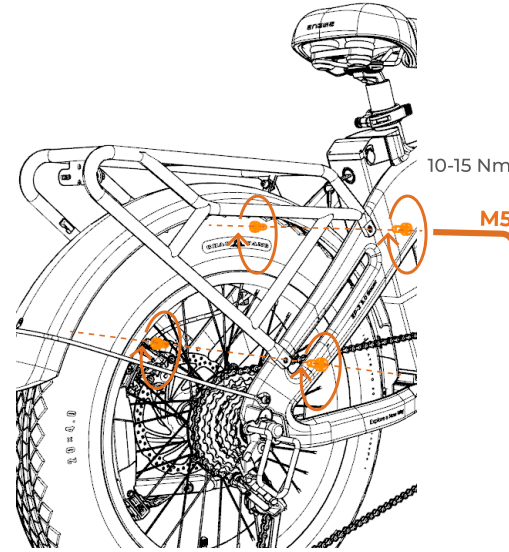


2. Quick guide

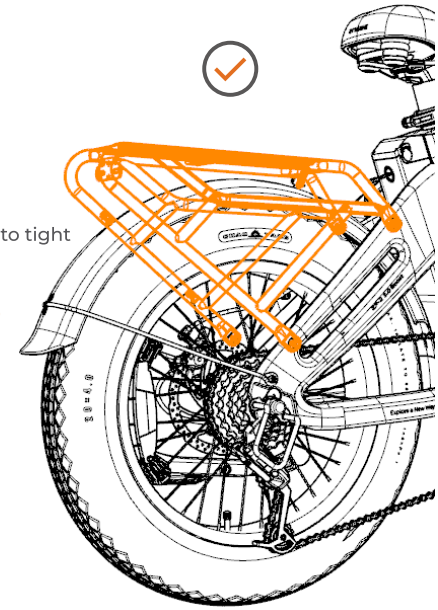
Warning: Clockwise direction is to tighten, counterclockwise direction is to loosen.



1



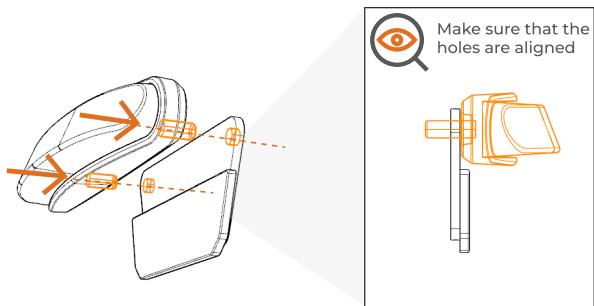
2



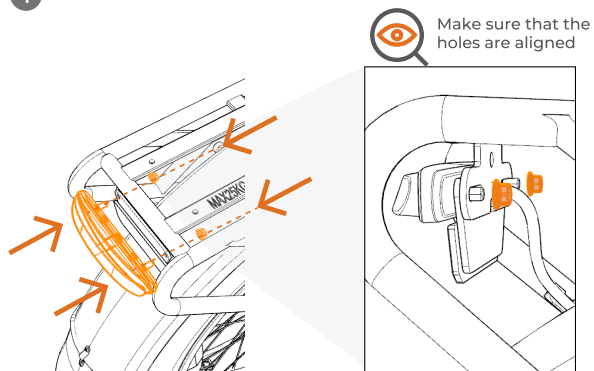
3

2.1.4 Installation guide - Rear rack

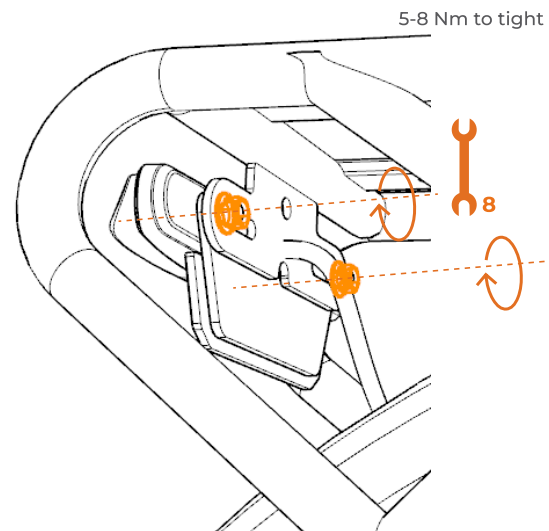
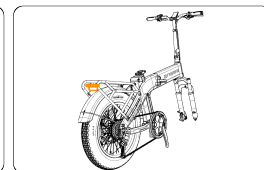
Warning: Clockwise direction is to tighten, counterclockwise direction is to loosen.



1

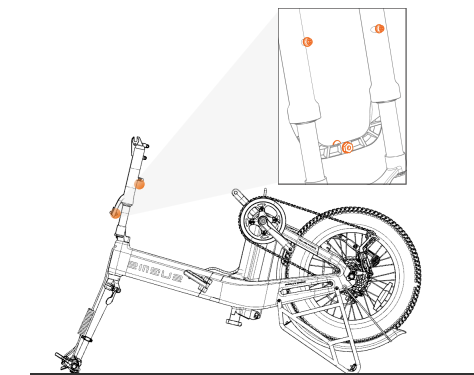



2

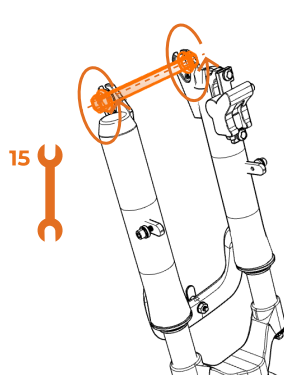


3

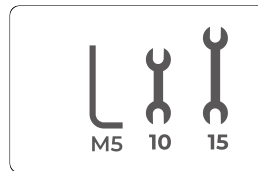
2. Quick guide



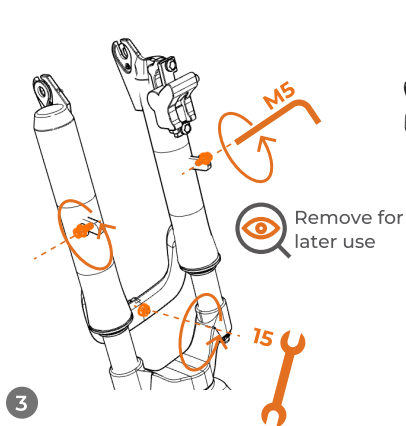
1  Protect the instrument screen. Do not press it



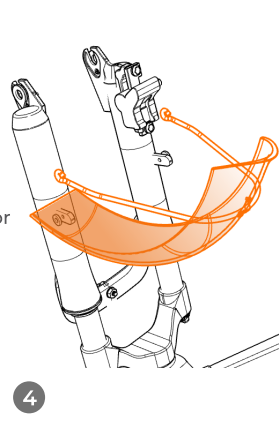
2



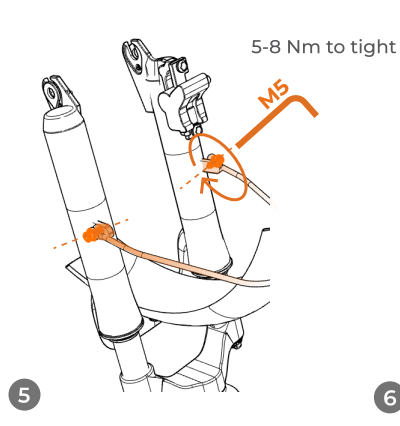
Warning: Clockwise direction is to tighten, counterclockwise direction is to loosen.



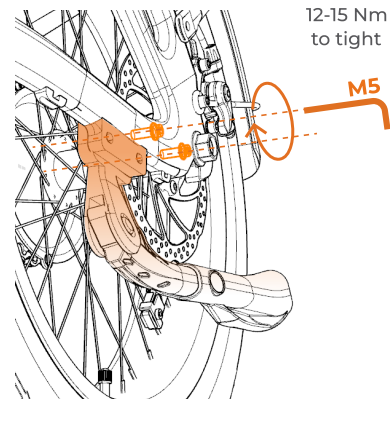
3



4

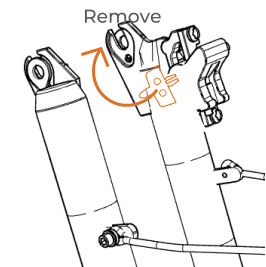


5

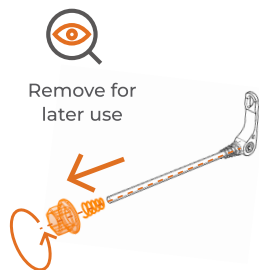


6

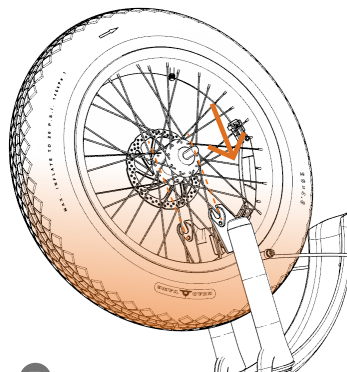
2.1.6 Installation guide - front mudguard and kickstand



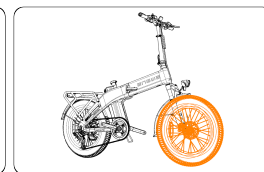
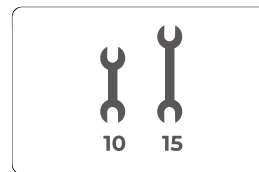
1



2

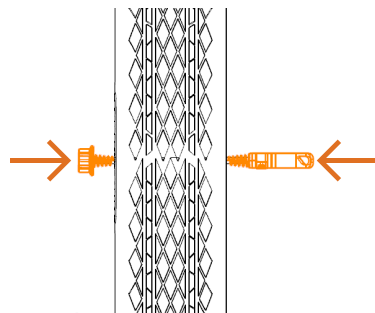


3

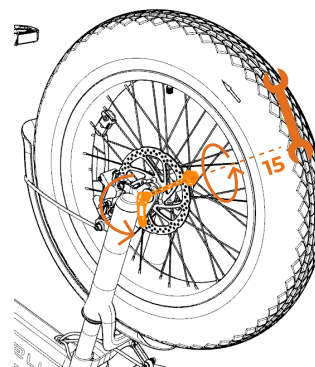


Pay attention to the direction of the spring, the small end is facing inwards

Warning: Clockwise direction is to tighten, counterclockwise direction is to loosen.

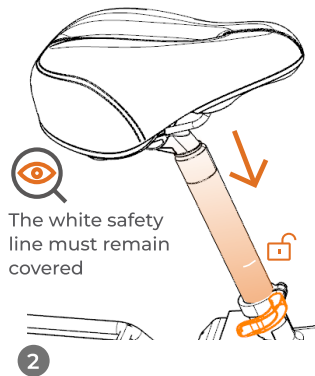
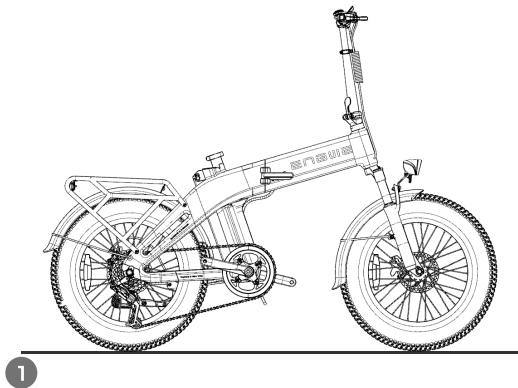


4



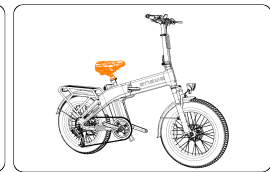
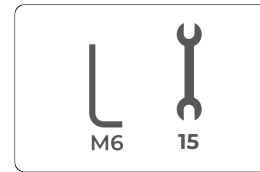
5

2. Quick guide

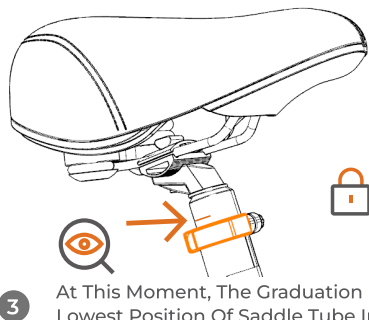


The white safety line must remain covered

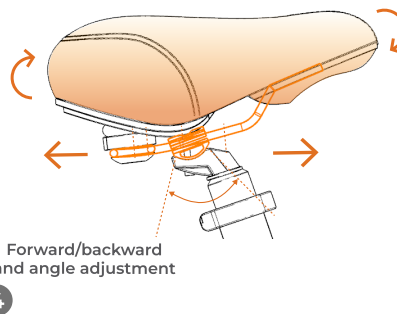
The highest seat height is the 0 scale line, and the lowest seat height is 10 scale line.



1. Sit On The Saddle, Keep Your Hips Level,
2. Turn The Pedals To Be Perpendicular To The Ground, And Step Your Heels On The Pedals.
3. If Your Knees Are Straight At This Time, You Have Obtained Your Saddle Height.

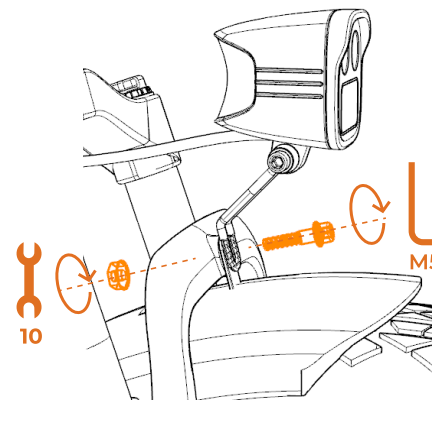
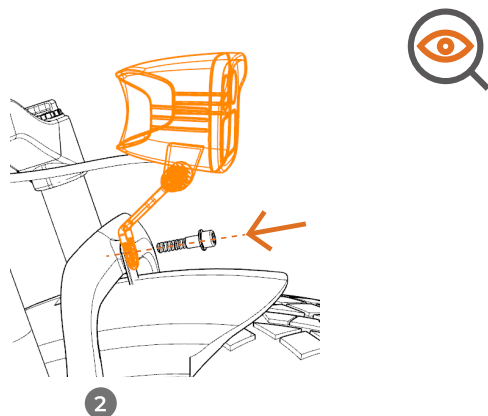
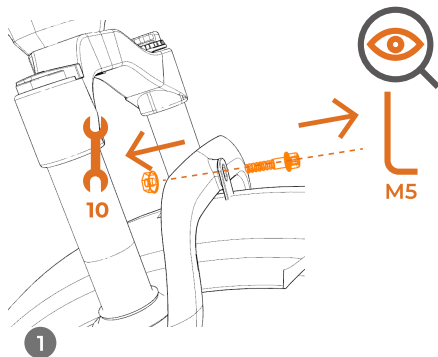


At This Moment, The Graduation Line Is The Lowest Position Of Saddle Tube Insertion.



Forward/backward and angle adjustment

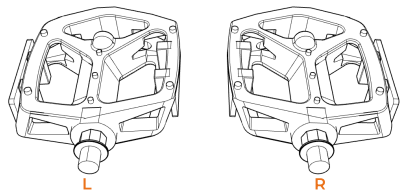
Warning: Clockwise direction is to tighten, counterclockwise direction is to loosen.



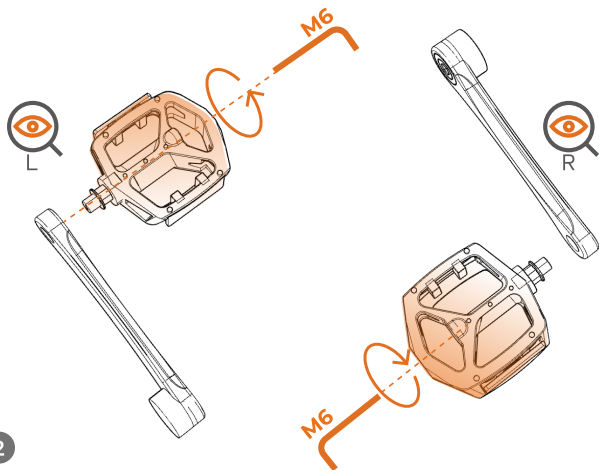
2. Quick guide



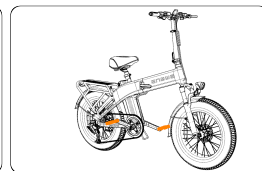
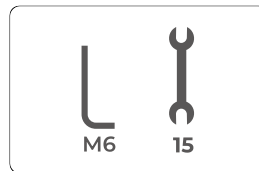
Distinguishing between left and right



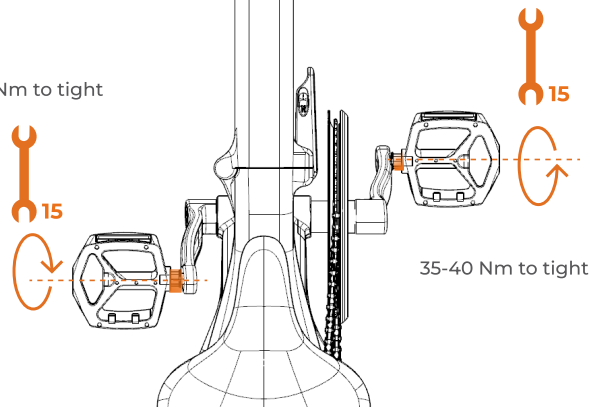
1



2

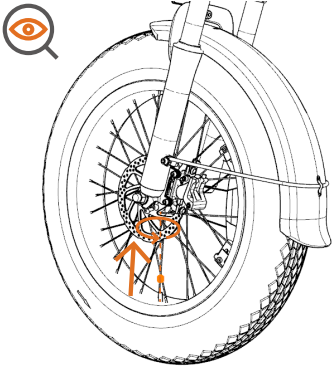


35-40 Nm to tight

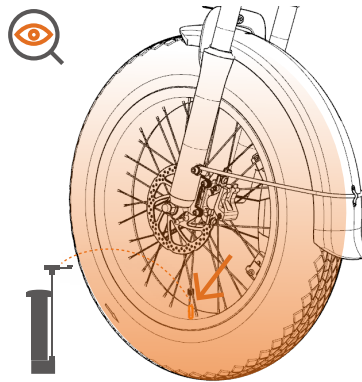


3

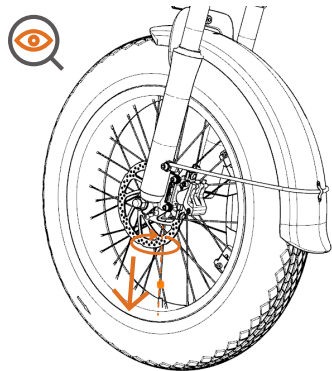
2.1.10 Installation guide - pedal



1 Remove the plug



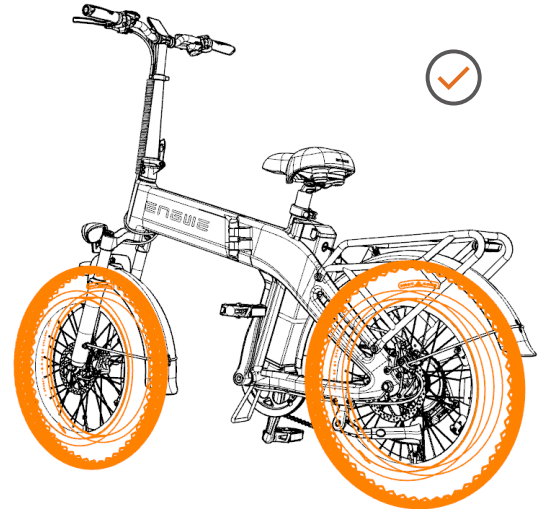
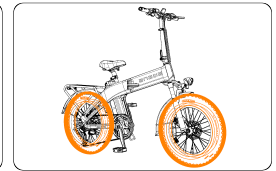
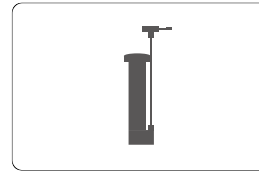
2



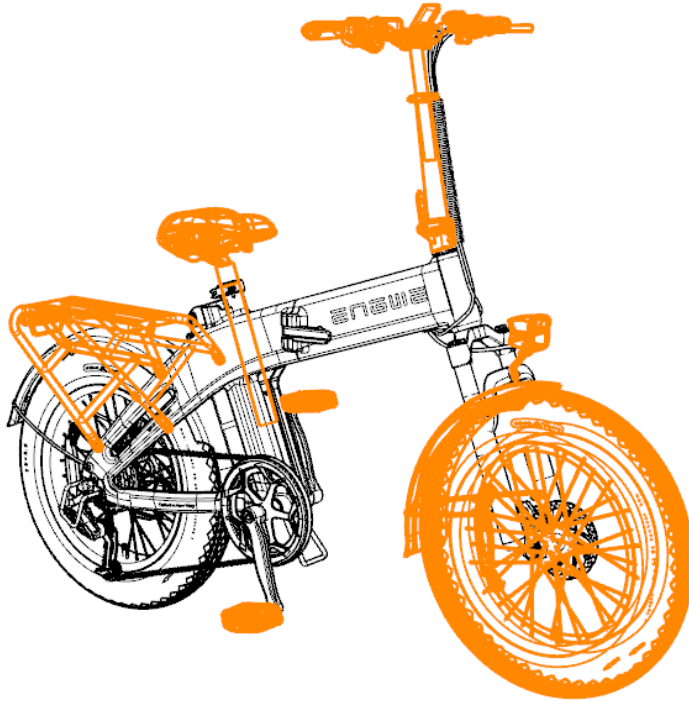
3 Remove the plug



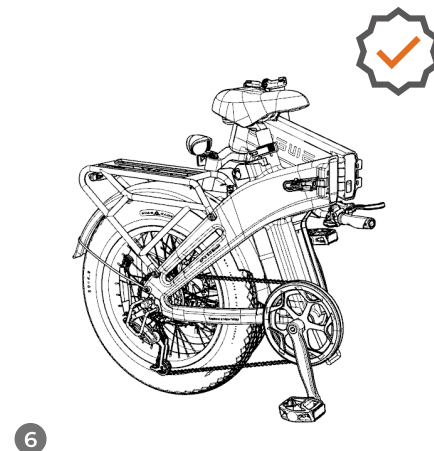
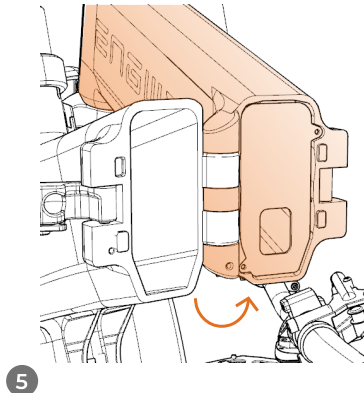
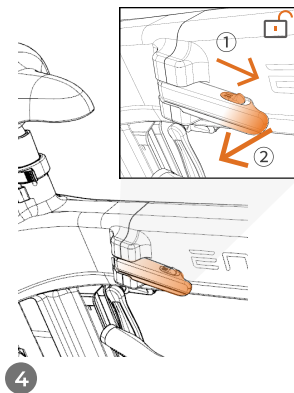
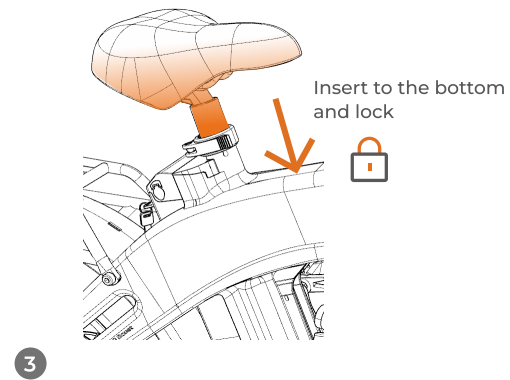
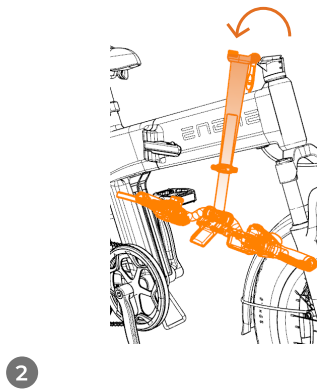
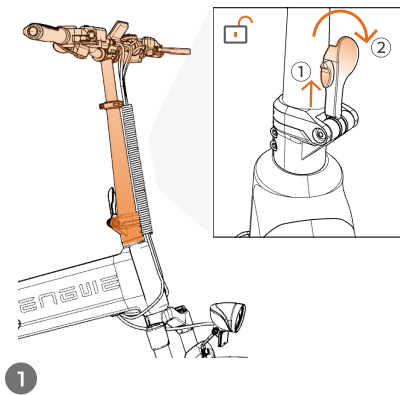
To protect the tires,
we deflated the tires before transportation.
Please fill the tires to the recommended
pressure before riding.



4

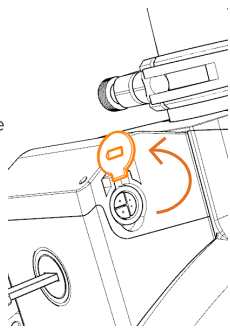


Congratulations!
Your bike has been assembled
successfully!

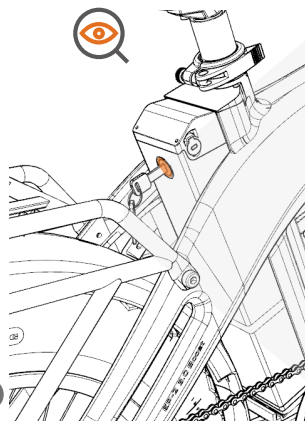


2. Quick guide

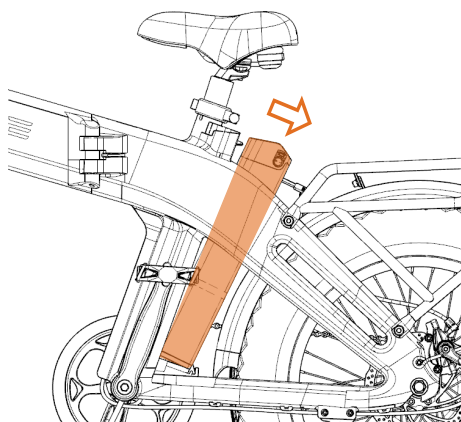
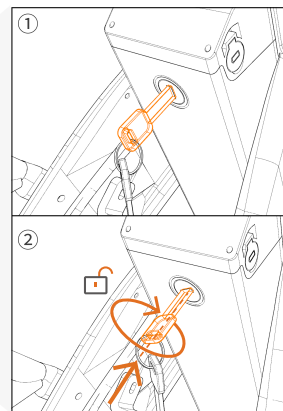
 Pull out the dust plug



1



2



3



Please remove the key when riding, and make sure the battery is installed well.



When removing the battery, be careful not to let it fall to the ground and cause collision.

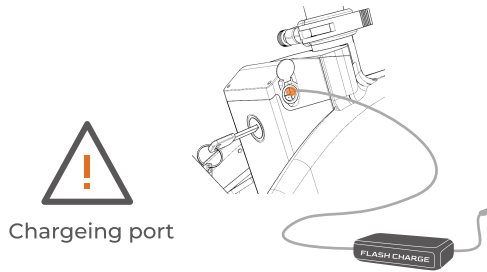


The battery contains composite materials other than metal. If you encounter severe impact during use, such as a car accident, please return it for inspection or destroy and replace it (not free of charge)

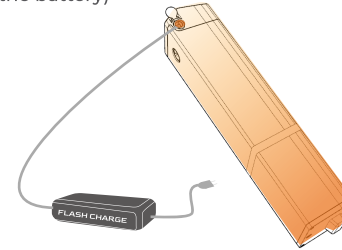
2.3 How to remove the battery

Two Charging Methods

① Charge the battery on the frame directly



② Remove the battery for charging (see 2.3 for the removal method of the battery)



- Note: The battery remains a small amount of electricity when the product leaves the factory. Before the product is used for the first time, please charge it fully. Please make sure to use the manufacturer's original charger that comes with the bicycle to charge the bicycle battery. Non-original chargers may cause battery damage.

Steps

- 1. Before charging:** Please ensure that the charging environment has normal air circulation and is dry; check that the charger plug and socket are dry and free of foreign objects; avoid charging in direct sunlight; avoid charging in an environment with a temperature below 5 degrees Celsius and above 30 degrees Celsius; ensure that there is no accumulation of flammable materials at the charging area
- 2. Start of charging:** Fully insert the charger connector into the battery's charging port, and then fully insert the charger's power plug into the power socket.
- 3. Status indication:** When the charging indicator lamp on the charger is red, it indicates that the charging is normal; When the indicator lamp is green, it indicates that the battery is fully charged. Flashing Green light means ready to charge and no output; Flashing Red light means fault.
- 4. Charging time:** about 3.5 hours
- 5. End of charging:** Unplug the power plug first, and then remove the charger connector from the battery. To charge by the method indicated in ①, just close the battery's dust plug. To charge by the method indicated in ②, you must insert the battery into the frame and secure it, and then close the battery's dust plug.

- Note: The charger contains a high-voltage device. Unauthorized repairs are strictly prohibited due to the risk of danger. The battery and the charger must be placed in a safe, well-ventilated, and dry area, beyond the reach of children, and away from any flammable, explosive, or hazardous items (such as saddles, sofas, etc.). Additionally, charging may not be conducted outdoors to prevent accidents like electrical short circuits and fires due to rain or similar elements.
- Warning: If you detect an unusual odor or if the battery or charger becomes excessively hot during charging, stop charging immediately and contact the after-sales team.

2. Quick guide

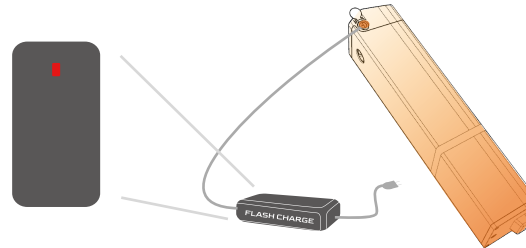
Before first use, please activate the battery:

1. Charge according to 2.4 how to charge.
2. After the green light flashes, the red light is always on. Please wait for about 10 seconds to complete the battery activation.

Since it is the first time to use, it is recommended that you charge for about 30 minutes to get a longer first ride.



Please wait for about 10 seconds to complete the battery activation



Why do you need to activate the battery:

We use a more advanced BMS(Battery manage system) to better protect the battery cells and extend the battery life. Therefore, during transportation or when not in use for a period, the BMS(Battery manage system) will automatically enter the sleep mode of the battery.

The judgment conditions for sleep are as follows:

- Battery capacity<1%, enter sleep mode after 10 minutes
- Battery capacity<10%, enter sleep mode after 48 hours
- Battery capacity<40%, enter sleep mode after 14 days
- Battery capacity<80%, enter sleep mode after 30 days
- More than 80% does not automatically enter sleep mode

So if you find that you cannot turn it on after not using it for a long time, please connect the charger to activate the battery first.

2.5 Battery Activation


Before using the product, please follow the installation guide for proper assembly of the corresponding components, verify that all fastening parts are secure, confirm the battery is fully charged, and take appropriate protective measures for riding.

Step 1: Adjust the handlebar and saddle

Please adjust the handlebar and saddle to the appropriate heights for the rider, and make sure that the seat post quick-release hoop and the stem quick-release hoop are securely fastened.

- Note: For optimal comfort, adjust the handlebar to a height that suits your riding style. The saddle should be set at your pelvic height and must not exceed the maximum safety scale.

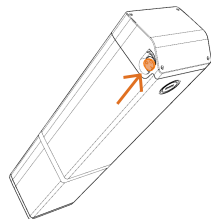
Step 2: Power on and adjust the headlight

1. Turn on the battery's power supply
2. Press the power button for about 2 s; the screen will light up.
3. Press the  for about 2 s to turn the lights on, Adjust the headlight to illuminate the area 10 m ahead.

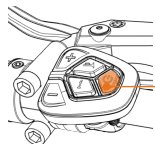
①



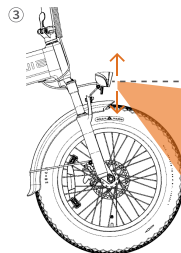
Turn the key and remove the battery



Turn on the switch, turn on the battery, and put it back



Press for 2 s to power on, and hold for 2 s to power off



Step 3: Gear shift

Adjust the ride mode according to road conditions and personal needs. The bike is designed with 5 assist gears. Click the power "+" and "-" buttons to shift between gears.

The 1st gear is suitable for riding on relatively flat roads. As the incline of the road increases, you can shift to a higher gear accordingly. Note: When the bike is in PAS mode and the battery is low, you can still ride it like a regular bike.

Step 4: Ride on the road

Please put on a helmet before riding on the road.

Step 5: Brake

The left brake is intended for the front wheel, while the right brake is intended for the rear wheel. To brake, first engage the right brake, followed by the left, to slow down the bike until it comes to a complete stop.

- Warning: Avoid abruptly applying the front wheel brake on its own, as this can easily destabilize the bike's center of gravity and lead to a fall.
- Statement: The A-weighted emission sound pressure level at the driver's ear is less than 70 dB(A).

2. Quick guide

If the default settings do not meet your needs, you can personalize the settings as follows:

1. Enter the personalized settings: in power-on state, press and hold the buttons **+** and **-** at the same time for more than 2 seconds(see diagram 1);
2. Select a setting: press the buttons **+** or **-** to choose different setting options.
3. Adjust the option: press the **i** button to enter a selected setting, then use the **+** or **-** button to adjust the choices, then press the **i** button again to confirm.
4. Setting descriptions:
 - a. Factory Restore: click **i** to enter reset interface, choose 'yes' and press **i** for 2 seconds to clear all your personal settings.(see diagram 1)
 - b. Toggle Unit: switch the mileage unit(see diagram 2).
 - c. Brightness: adjust the screen brightness(see diagram 3)
 - d. Password enable:
 - i. Choose "psd-y" choice to enable the password, and press the buttons **+** or **-** to choose number, kick **i** button to confirm. After 4 numbers confirm, please press **i** for 2 seconds. the correct password must be entered to access the main interface and adjust the assist gear. (see diagram 4)
 - ii. if need to reset your password. Please change password enable from 'psd-y' to 'psd-n', and set password as 4.d.i process again.
5. Exiting setting:
 - a. method 1: press the buttons **+** and **-** for 2 seconds.
 - b. method 2: With no action after 1 minute, display will exit setting interface automatically.



diagram 1

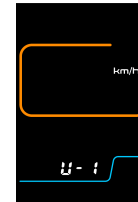


diagram 2



diagram 3

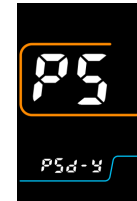


diagram 4

3. Notes for maintenance

Safety guidelines for electric bike

1. Do not park the electric bike in the building lobby, evacuation stairs, walkways or safety exits;
2. Do not charge and park the electric bike in the residential building. Keep the bike away from combustibles during charging. The charging time should not be too long, generally not more than 12 h;
3. Prevent water from entering the electrical components. When cleaning the bike, avoid water flow impacting the charging interface, harness connectors and other electrical components;
4. When adjusting the height of the saddle and stem, be careful not to expose the safety scales on the saddle and stem;
5. Users and dealers are prohibited from modifying the bike without authorization. For example: modification of battery configuration, modification of circuit, increase of bulb power, add-on installation of audio devices, etc.;
6. Do not touch the live components of the electric bicycle with wet hands or metal objects. For example: the battery interface, battery charging port, charger connector, etc.;
7. Do not disassemble the electrical components without authorization to prevent liquid and metal filings from entering the components.
8. Do not expose the bike to sunlight/rainstorm for a long time to prevent parts from aging;
9. If the bike needs to be cleaned, please wipe down the frame using water mixed with a neutral detergent. Do not remove and wash the internal parts with water to prevent short circuits.
10. Do not touch hot surfaces after frequent use, such as touching the disc brake after frequent use of the brakes, or touching the motor after a long ride to avoid burns.

• Note: Maintenance by non-professionals is strictly prohibited. In case of failure of the bike, contact the customer service center or go to a designated professional maintenance station for repair.

Ride safely: Always adhere to national and local traffic laws and remain vigilant for your safety while riding.

1. Individuals under the age of 16 are strictly prohibited from operating electric bikes on the road. Do not lend the bike to those who are not proficient in its use to prevent potential hazards.
2. Please ride in the non-motorized lane, with the maximum speed not more than the speed limit in local regulations;
3. The electric bike must carry people or articles in accordance with the laws;
4. Always wear an appropriate safety helmet and secure the chin strap while riding;
5. When riding in rainy and snowy days, the braking distance will be extended, so pay attention to slowing down; Do not ride in bad weather such as rainstorms;
6. Please carefully abide by traffic rules. Do not ride after drinking, or ride with one hand or with both hands off;
7. When riding, try to wear bright color clothes, not tight, without open cuffs and allowing for free movement, and wear low-heeled shoes or sports shoes when possible.

Notes during ride

1. For the safety of yourself and others, please consciously abide by traffic rules;
2. Wear a safety helmet and take other relevant safety precautions before ride;
3. When starting the bike, gradually accelerate to prevent losing control;
4. In rainy and snowy weather, as the braking distance increases, please concentrate on riding slowly and carefully when riding to prevent sideslip and fall;
5. Before stop, please shift down the mechanical gear to facilitate the next ride.

Inspection before ride

1. Turn on the power supply, check whether the indicator lamps on the instrument are normal, and check whether the power of the battery is sufficient;
2. Check whether the front and rear lights are normal and whether the lighting angle of the headlight is normal;
3. Check whether the horn of the electric bike is in good condition;
4. Check whether the handlebar and seat post are adjusted to the proper positions, and confirm that the fastening screws (or quick-release hoop) are fastened;
5. Check the brake levers. the brakes shall be adjusted to be reliable and flexible in resetting. The taillight shall be on during braking;
6. Check whether the tire pressure is normal, whether there is cracking and abnormal wear, and whether there are nails, stones, glass and other sharp objects inserted;
7. Check whether the wheel screws are tightened firmly, and ensure the pedal reflector is not lost, damaged or contaminated.

Notes for push and stop

1. The power switch must be off while pushing to avoid accidents from unexpected activation of the throttle grip.
2. When pushing the bike uphill or carrying heavy objects, the boost mode can be on to assist the push;
3. When stopping the bike, please set the kickstand on the flat ground and power off the bike;
4. Please maintain and clean the bike regularly to keep it in the best condition.

3.1 Notes for operation

Maintenance and self-inspection of bike

1. The electric bike has been adjusted before leaving the factory. If you have any questions, please contact the manufacturer or supplier;
2. Always check the tire pressure to keep it within the normal range;
3. Always check and adjust the main components such as handlebar, foldable riser, saddle, seat post, front and rear axles, bottom bracket, flywheel and chain, front and rear wheels to make sure the transmission parts are flexible and free of abnormalities. The loosened nuts or screws shall be tightened in time;
4. It is recommended that the parts to be lubricated (such as front axle bearing, bottom bracket bearing, rear axle bearing, fork bowl group, pedal bearing, etc.) be filled with 3# calcium-based lubricating oil (grease) every six months during use; Add 30# oil to the chain, derailleur cable, kickstand and other parts about every two months;
5. If it is found that the wearing parts are damaged, such as brake pad, chain and tires, they can be replaced with parts of the same model and specification at a nearby maintenance center .
6. Do not use strong water flow or close-range steam jet to clean your electric bicycle. Please do not wipe the battery and battery interface with a wet towel or wet paper towel.

Maintenance of motor

1. Do not open the motor base and end cover after sealing;
2. The motor shall be kept clean, and no foreign matter, corrosive liquid or gas shall enter the motor. The motor housing shall not be knocked or baked to avoid damage to the motor.
3. The waterproof grade of the motor is IPX5. Do not flush the motor with a water gun or submerge the motor in water. When the water level reaches the center of the motor hub, it may cause an internal short circuit of the bike and damage the electrical components.

Maintenance of battery

1. The lithium battery features a large capacity, long service life and light weight. its service life is closely related to your use method. Do not use the bike till the battery is low. Do not store the bike for a long time. Please develop the habit of frequent charging;
2. Please fully charge the bike for the first time. It is recommended that the bike be charged for 3.5 h each time, not more than 8 h.
3. In the case of no use for a long term, it is necessary to charge the lithium battery for more than 2 h every month. It is strictly forbidden to store the bike with the battery in under-voltage state; Once the battery reaches the under-voltage state, it will be subject to great and irreversible damage.

- **Danger:** Do not disassemble the old battery without authorization. The battery shall be recovered at the location designated by the local government or at the company's authorized maintenance site.
- **Warning:** Always remove the battery during maintenance. Keep the battery away from open flames or high-temperature heat sources. Never throw the battery into a fire. Avoid exposing the battery to direct sunlight in hot and high-temperature conditions.

3. Notes For Maintenance

Troubleshooting

Symptom	Possible cause	Common solution
The bike fails to work	Low battery Poor connection of electrical parts Incorrect start sequence	Charge the battery Clean and re-tighten the connector Start the bike in the correct sequence (see 2.5)
Insufficient range	Insufficient tire pressure Excessive uphill travel, high wind speeds, frequent braking, and overloading The battery is faulty, damaged or aging	Check whether the tire leaks and inflate the tire adequately Utilize the pedal for assistance while riding or modify your route accordingly Contact the engwe after-sales team for assistance
The battery fails to be charged	Poor connection of charger The charger is damaged the battery is stored for a long time and not charged regularly	Reconnect the charger Replace the charger Contact the engwe after-sales team for assistance
The motor fails to work after power-on	The motor cable is loose or damaged The throttle grip is loose or damaged. The motor is damaged	Reconnect or replace the cable Tighten or replace the throttle grip Contact the engwe after-sales team for assistance
Unusual acceleration or excessively low speed	The throttle grip is loose or damaged, or the battery charge is too low	Tighten or replace the throttle grip and fully charge the battery

Fault code

The engwe electric bike comes with a fault detection system. If the electrical system fails, the instrument will display a fault code. Here are the most common fault codes to assist you with troubleshooting. If a fault code is displayed, please stop operation immediately and contact the after-sales team of engwe.

Fault code	Symptom	E30	Communication fault
E01/E02/E42	Control unit current fault	E31	Control unit fail
E03	Control unit Hall fault	E36	Torque sensor fault
E05	Control unit temperature fault	E37	Speed sensor fault
E06	Motor temperature protection	E38	Temperature sensor fault
E09	Volt fault	E43	Motor fail fault

3.3 Troubleshooting

Warranty principles

1. The user shall use the product as described in this manual. For any performance failure caused by the product quality, the company will fulfill its warranty obligations according to the provisions of the consumer protection laws;
2. The company is responsible for repairing faults outside the warranty coverage and the main components after the warranty period has expired. However, appropriate charges will apply.
3. For the replacement of the battery beyond the warranty period, the company will provide the battery at the factory cost. However, the corresponding battery must be collected and sent back to the manufacturer to ensure safety and prevent environmental pollution.

Warranty coverage and duration

Item	Accessory name	Warranty period	Notes for warranty
Basic parts	Frame	12 months	In cases of natural deformation, cracked welds, loose welds, fractures, and other quality issues resulting from substandard manufacturing, the manufacturer will provide replacements in accordance with the warranty terms. Unauthorized modifications, damage from collisions, etc., are not covered under the warranty.
	Fork, handlebar, foldable riser, seat post	12 months	
	Tire	1 month	Tires punctured by sharp objects, parts damaged due to collision, etc. are not covered under the warranty.
	Saddle, brake, brake disc, brake lever	3 months	
	Crank set, pedal, kickstand, mudguard, seat post quick-release hoop, foldable stem quick-release hoop, hub, thumb shifter, rear derailleur, flywheel, chain, bottom bracket, shock absorber	6 months	
Electrical Parts	Control unit, charger, main/auxiliary cables, instrument, throttle grip, torque sensor, battery cover, power-off brake lever	12 months	The manufacturer will make replacement as per the warranty terms for short circuits, burnout, performance failure caused by poor manufacturing, etc.; Water ingress, cable disconnection, man-made damage, etc. are not covered under the warranty.
	Headlight, taillight	6 months	
Motor	Motor core, Hall element, bearing, clutch	12 months	The manufacturer will make replacement as per the warranty terms for problems such as phase loss, burned Hall elements, demagnetization, and abnormal sound of the bearing; Faults such as cable disconnection and water ingress are not covered under the warranty.
Batterw	Battery top cover, battery bottom cover, battery case, motor core	12 months	If the battery fails to charge and its capacity is less than 70%, the manufacturer will make replacement as per the warranty terms (the new battery's warranty period will be calculated according to the remaining warranty period, rather than being calculated from the beginning). Faults due to man-made damage are not covered under the warranty.

• Note: The limited warranty does not apply to any subsequent owner or other transferee of the electric bike.

4. Service guide

Notes for warranty

1. The accessories will be covered in the warranty in strict accordance with the warranty period;
2. The warranty period starts from the date of purchase;
3. The charger, battery and motor disassembled without authorization will not be covered under the warranty;
4. Other parts of the bike are only covered under the three-month warranty in case of quality problems;
5. When other parts of the bike fail, the maintenance must be carried out at a professional maintenance site. It is not allowed to disassemble and assemble the bike without authorization. The control unit, battery and charger must have intact labels;
6. For repair of the bike, the warranty card, invoice, certificate of conformity and other relevant documents must be presented;
7. The battery shall be subject to a separate warranty, that is, in case of battery problems, the battery shall be returned to the manufacturer to determine whether it is under the warranty coverage according to the battery test, and then the warranty liability shall be carried out accordingly.



Warranty card

User	Organization			
	Name		Tel	
Address				
Purchase Date			Color	
Bike Model			Invoice Number	
Frame Number			Motor Number	

Repair record

Date	Repair Content	Remarks

4.2 Warranty card and repair record

Product Parameters

Product model	EP-2 3.0 Boost
Frame material	Magnesium Alloy
Maximum load	150KG / 330lbs.
Maximum speed	25km/h
Motor torque	75Nm
Battery capacity	648wh Li-ion
Maximum range	120 km*
Tire size	20 x 4" Front / Rear
Tire pressure	Recommended 1.7 bar-3.1 bar, No more than 20 PSI
Charger	48V 4A
Charging time	3.5h
Waterproof rating	IPX5
Bike weight	32.3kg / 71.2 lbs.
Maximum load capacity of rear rack	15kg / 33lbs.

*The maximum range is measured in 1st gear with full charge and a load of 75 kg on a flat surface at 25°C and a relative humidity of 70%. The actual results may vary due to the differences in gear, temperature, load, wind speed, road conditions and other factors.

Service hotline:

+33 805980036(EU)Working time: 9am to 6pm(GMT+1), Monday to Friday.

+39 800776809 (EU) Working time: 9am to 6pm(GMT+1), Monday to Friday.

+18442007117 (U.S.)Working time: 9 a.m. to 6 p.m.(PST-8 Time), Monday to Friday

Website: www.engwe.com, www.pl.engwe.com, www.engwe-bikes-uk.com, www.engwe-bikes.de

If you have any questions or suggestions about the manual, please send them to the email address below.

Email: service@engwe.com



Installation video



Manuals in other
Languages